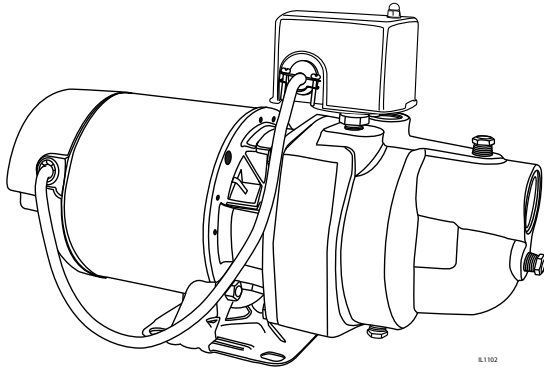
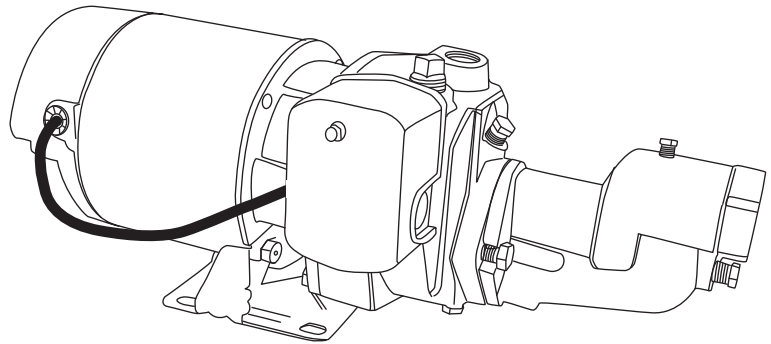


SHALLOW WELL JET PUMP



Integral Jet
Shallow Well Pump



Multi-purpose
Shallow Well Pump



For loose, missing or damaged parts, or if the unit does not seem to be operating properly, please call before returning unit to the place of purchase

Phone No.: 1-800-742-5044

Service Hours:

Monday thru Friday - 7:30 am to 5:00 pm EST

TABLE OF CONTENTS

Product Specifications	2
Safety Information	3
General Pump Information	4
Preparation	5
Well to Pump Connection	6
Pump to Tank Connection	8
Tank to House Connection	9
Pump Electrical Connections.....	11
Pump Priming and Startup	15
Repair Parts.....	18
Troubleshooting.....	19
Care and Maintenance	20

PRODUCT SPECIFICATIONS

Motor Data Chart

Model	HP	Phase	Volts	Max Amps	Locked Rotor Amps
JH03S	1/3	1	115 or 230	8.6/4.3	26.0/13.0
CPH05S	1/2	1	115 or 230	13.0/6.5	36.0/18.0
All others	1/2	1	115 or 230	8.6/4.3	26.0/13.0
All	3/4	1	115 or 230	13.0/6.5	36.0/18.0
All	1	1	115 or 230	14.0/7.0	52.0/26.0
All	1-1/2	1	115 or 230	21.0/10.5	98.0/49.0

Discharge Size Chart

1 in.			3/4 in.
416959	CPHX05S1524	EK07SAT44H	JHU03S
433217	CPHX07S1632	ES05S	
433225	EK05S	ES05SAT25H	
CPH071726	EK07S	ES07S	
CPH07S	EK10S	JHU10S	
CPH10S	EK05SAT25H	JHU15S	
CPHX03S1422	EK05SQ		

SAFETY INFORMATION

Please read and understand this entire manual before attempting to assemble, operate or install the product. If you have any questions regarding the product, please call customer service at 1-800-742-5044, 7:30 a.m.-5:00 p.m., EST, Monday-Friday.

DANGER:

1. Always disconnect power source before performing any work on or near the motor or its connected load. If the power disconnect point is out-of-sight, lock it in the open position and tag it to prevent unexpected application of power. Failure to do so could result in fatal electrical shock.
2. Do not handle the pump with wet hands or when standing in water as fatal electrical shock could occur. Disconnect main power before handling unit for ANY REASON!
3. RISK OF ELECTRIC SHOCK. These pumps have not been investigated for use in swimming pool areas.

WARNING:

1. Follow all local electrical and safety codes, as well as the National Electrical Code (NEC) and the Occupational Safety and Health Act (OSHA).
2. Replace damaged or worn wiring cord immediately.
3. Do not kink power cable and never allow the cable to come in contact with oil, grease, hot surfaces, or chemicals.
4. Wire motor to correct supply voltage - see motor nameplate and wiring diagrams and check voltage of power supply.

5. Unit must be securely and adequately electrically grounded. This can be accomplished by wiring the unit to a ground metal-clad raceway system or by using a separate ground wire connected to the bare metal of the motor frame or other suitable means.
6. This product contains chemicals known to the State of California to cause cancer and birth defects or other reproductive harm.
7. Hazardous Pressure! Install pressure relief valve in discharge pipe. Release all pressure on system before working on any component.
8. Do not use to pump flammable or explosive fluids such as gasoline, fuel oil, kerosene, etc. Do not use in flammable and/or explosive atmospheres.

CAUTION:

1. Protect the power cable from coming in contact with sharp objects.
2. Be careful when touching the exterior of an operating motor - It may be hot enough to be painful or cause injury.
3. Make certain that the power source conforms to the requirements of your equipment.
4. Do not run pump dry.
5. Pump and plumbing must be full of water before startup.
6. Do not pump water which contains sand, mud, silt, or debris

NOTE: Pumps with the "UL" mark are tested to UL Standard UL778. CSA certified pumps are certified to CSA Standard C22.2 No. 108. (CUS)

IMPORTANT:

This jet pump is wired for either 115V or 230V. The label on the pump will state whether pump is pre-wired for 115V or 230V. To change pump voltage, see pump label diagram or page 14 in these instructions.

GENERAL PUMP INFORMATION

TYPICAL PUMP SETUP

Shallow well jet pumps are designed for use where the suction lift is 25 feet or less. They can be used with drilled (cased wells) (**Fig. 1**), dug wells, driven wells (**Fig. 2**) or with cisterns or lakes.

VENTILATION

Ventilation and drainage must be provided to prevent damage to the motor from heat and moisture.

FREEZING

The pump and all piping must be protected from freezing. If freezing weather is forecast, drain pump or remove completely from the system.

WATER SUPPLY

The water source must be able to supply enough water to satisfy the capacity of the pump and water needs. See performance chart on page 2.

SUCTION LIFT

Suction lift is the vertical distance from the lowest level of the water to the pump intake. The pump will move water as long as the pump is within 25 vertical feet of the water source.

HORIZONTAL DISTANCE

The horizontal distance is the horizontal measurement between the pump suction and the water source. This distance may affect the ability of the pump to operate. If it is over 100 feet, call the manufacturer for assistance at 1-800-742-5044.

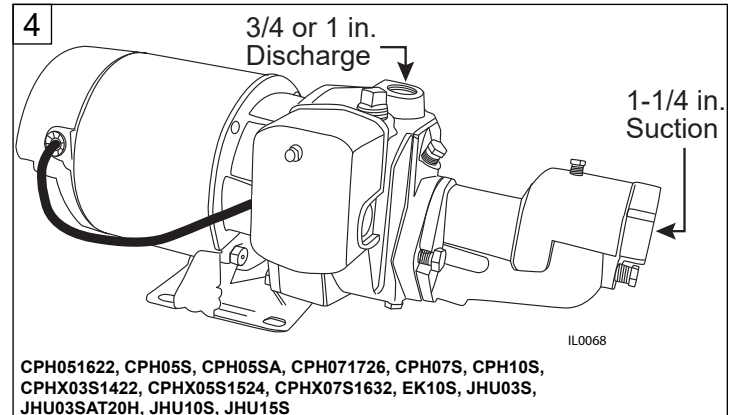
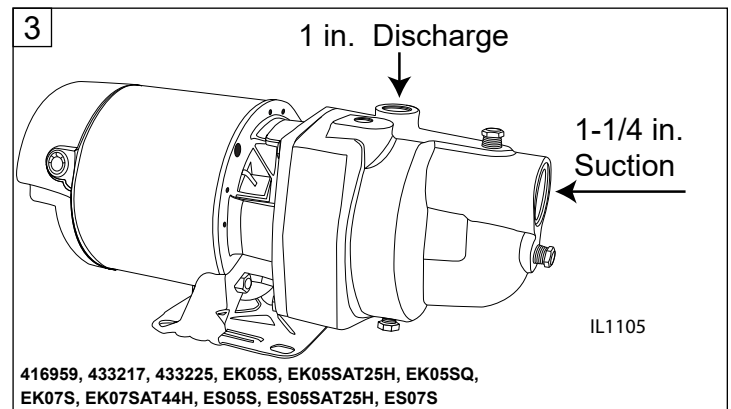
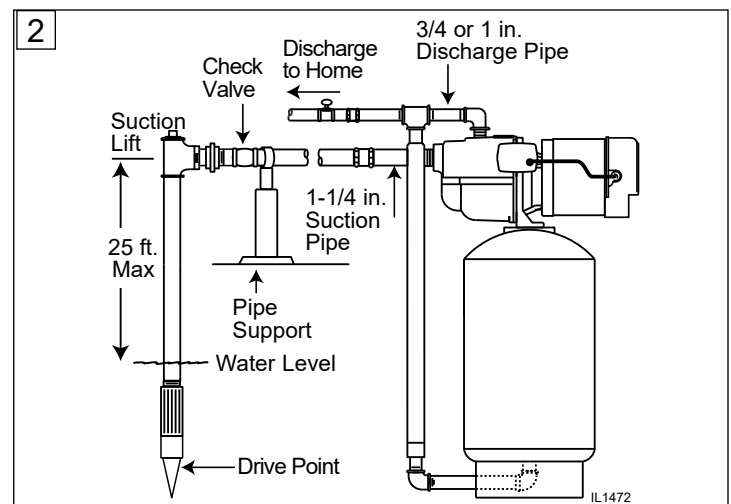
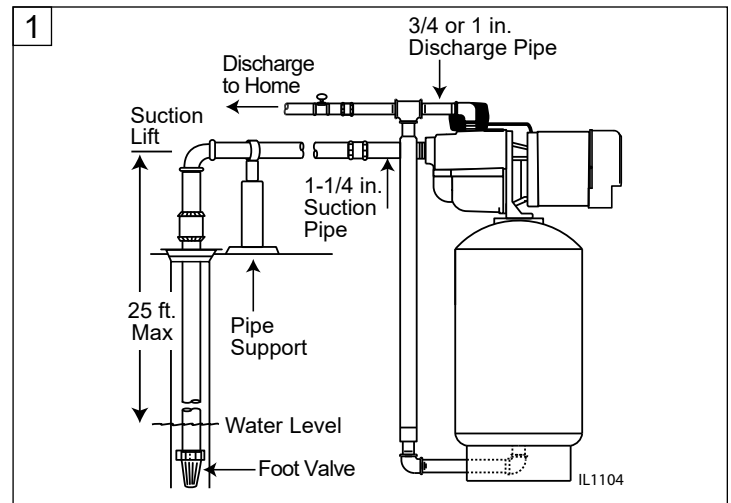
PIPE AND FITTINGS

Use galvanized steel or NSF PW Schedule 40 PVC pipe and fittings. This material is designed for water pressure and will seal against air and water under pressure. Do Not Use: DWV fittings, as these are designed for drains without pressure and will not seal properly. (**Fig. 2 & 3**)

⚠ CAUTION: The entire system must be air and water tight for efficient operation and to maintain prime.

WIRE SIZE:

The wire size is determined by the distance from the power source to the pump motor, and the horsepower rating of the motor. See the wire chart on page 11 for proper wire size.



PREPARATION

Before beginning installation of product, make sure all parts are present. If any part is missing or damaged, do not attempt to assemble the product. Contact customer service for replacement parts.

Estimated Installation Time: 2 hours.

TOOLS REQUIRED

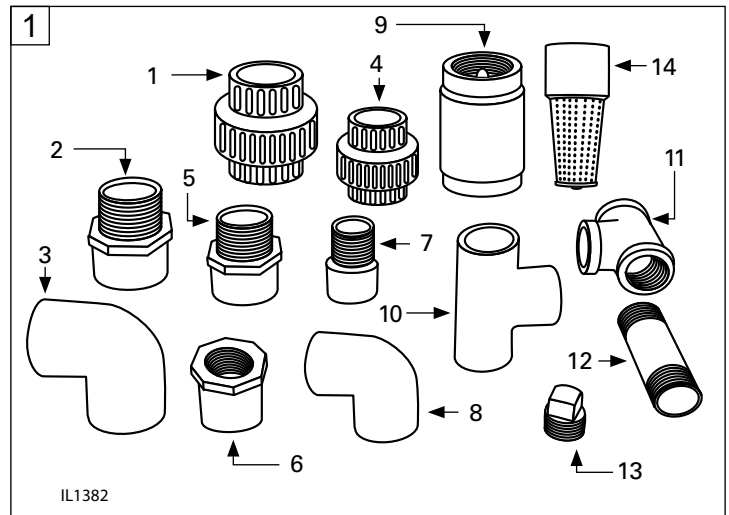
Pipe wrenches (2)
Wire strippers
Needle-nose pliers
Phillips screwdriver

Wire cutters
Adjustable wrench
Pipe tape
Pipe dope

NOTE: For a successful installation, take time to study your application for the correct pipe size and appropriate fittings. The illustrations in these instructions will assist you with required and optional fittings. Sch. 40 PVC plastic pipe and fittings were used in these instructions.

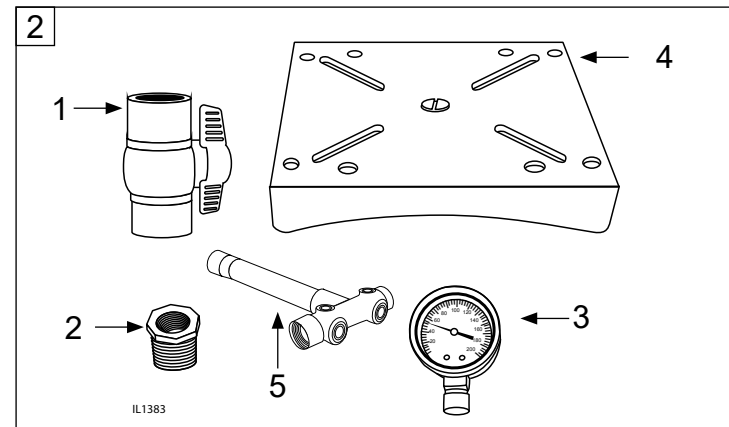
PARTS YOU MAY NEED FOR ASSEMBLY (not included) (Fig. 1)

Item	Description
1	1-1/4 in. union
2	1-1/4 in. adapter
3	1-1/4 in. elbow
4	3/4 in. union
5	1 in. adapter
6	1 in. x 3/4 in. reducer bushing
7	3/4 in. adapter
8	1 in. elbow
9	1-1/4 in. check valve
10	3/4 in. tee (plastic)
11	3/4 in. tee (steel)
12	3/4 in. x 3 in. nipple (steel)
13	3/4 in. plug (steel)
14	Foot valve
	Electric cord strain relief



OPTIONAL PARTS FOR ASSEMBLY (not included) (Fig 2)

Item	Description
1	Ball Valve (plastic)
2	3/4 in. x 1/4 in. bushing (steel)
3	Pressure Gauge
4	Pump stand for tank
5	Tank Tee



WELL TO PUMP CONNECTION (SUCTION PIPE)

⚠ CAUTION: Dry-fit entire assembly to ensure proper fit before gluing or taping parts.

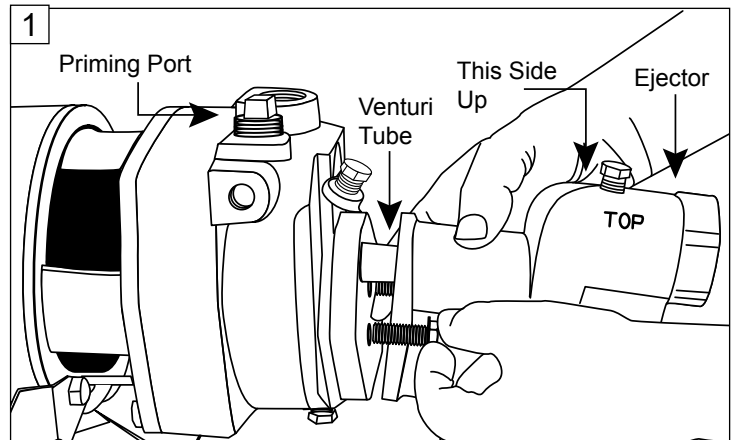
⚠ CAUTION: Follow all proper gluing procedures as specified by the glue manufacturer. Always glue in a vertical direction whenever possible to prevent glue from dripping inside pipe or fittings

⚠ CAUTION: Use pipe tape and pipe paste compound on all male threads. Tighten with wrench to a snug fit and add another 1/4 turn to ensure proper seal.

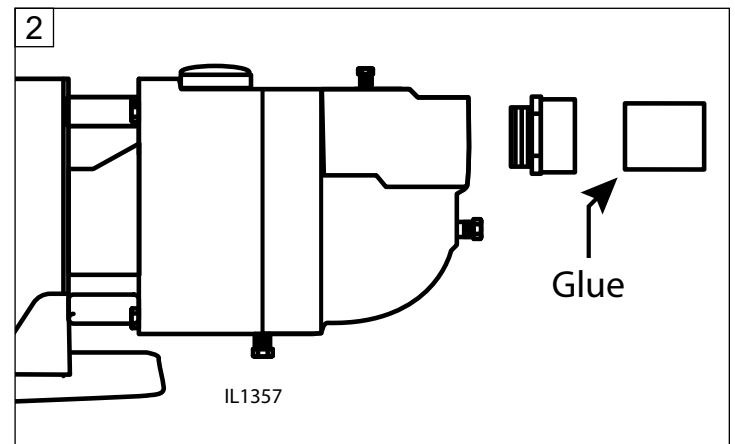
1. JHU10S, EK10S, JHU03S, JHU15S, CPH05S Models Only

Attach ejector to face of pump with two (2) bolts and gasket provided. Venturi tube on the ejector inserts into the top tapping of the face of the pump (Fig. 1).

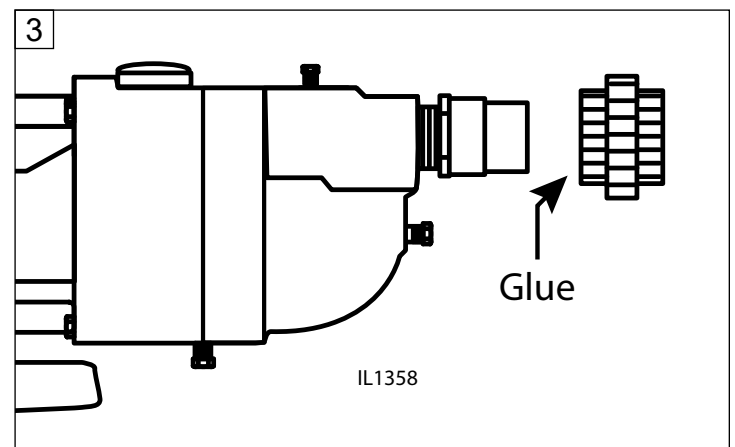
NOTE: Models 416959, 433217, 433225, EK05S, EK05SAT25H, EK05SQ, EK07S, EK07SAT44H, ES05S, ES05SAT25H, ES07S, have built-in ejector.



2. Make the connection to your well first. Wrap all threaded fittings with pipe tape 5 times and then apply a pipe paste (pipe dope) to ensure an air tight connection. (Fig. 2)



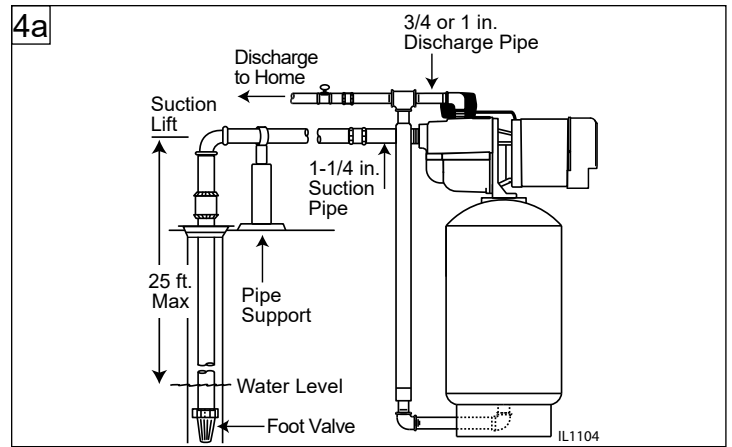
3. The use of a union (optional) will assist with easy connection and disconnect. (Fig. 3)



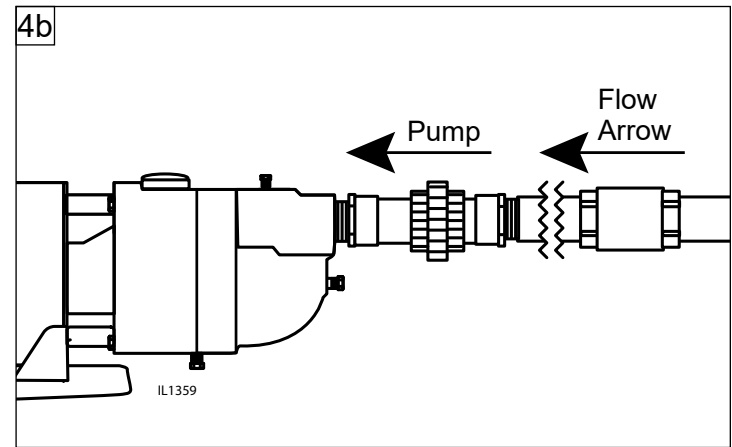
WELL TO PUMP CONNECTION (SUCTION PIPE) (CONTINUED)

- 4a. NOTE: For drilled (cased) wells, a foot valve is required in the well at the end of the pipe to maintain prime. (**Fig 4a**)

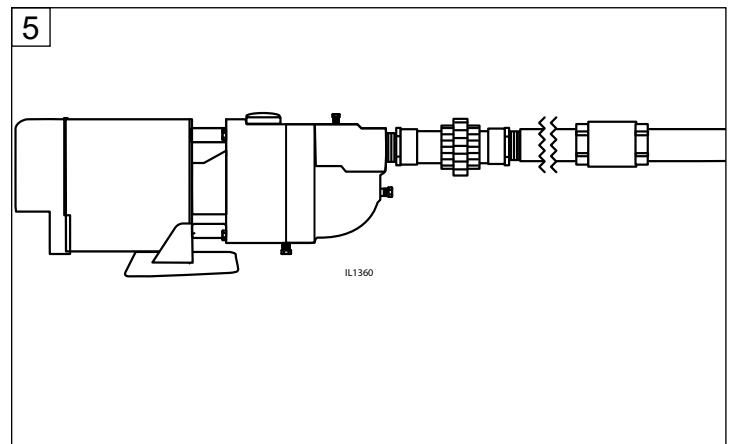
Note: Keep the pipe length between the pressure tank and pump/pressure switch to 18-in whenever possible to avoid short cycling the pump and pressure switch chattering.



- 4b. For driven wells, a check valve is required at the top of the well to maintain prime. Flow arrow must point toward pump. (**Fig.4b**)

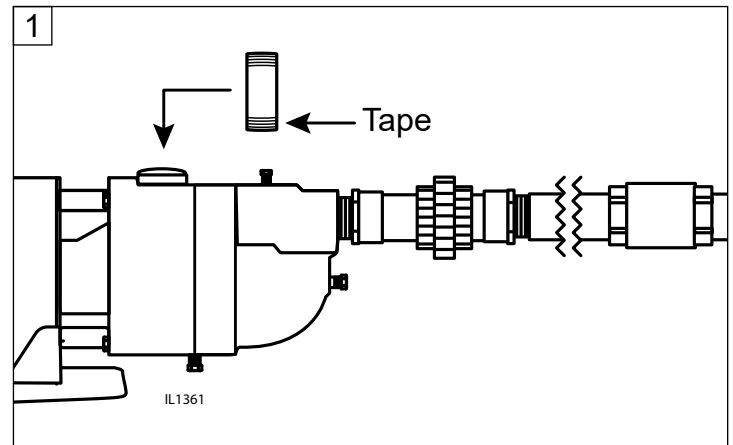


5. Finish the connection to your well with additional pipe and fittings as needed. (**Fig. 5**)

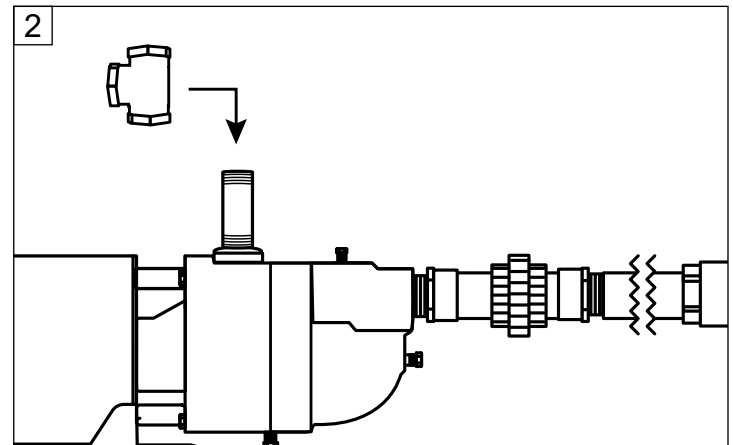


PUMP TO PRESSURE TANK CONNECTION (DISCHARGE PIPE)

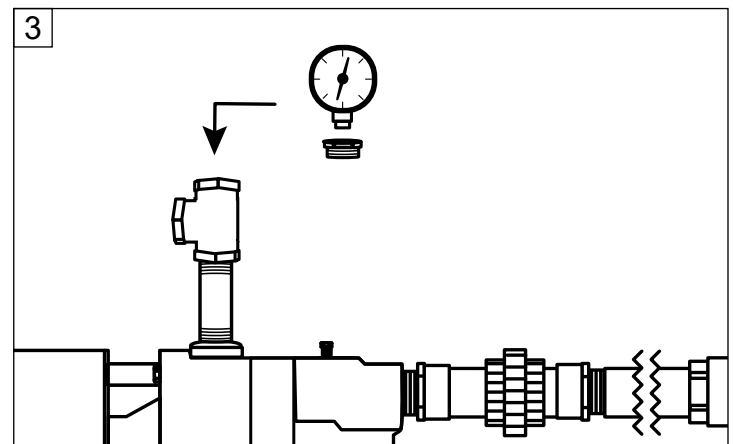
1. Begin the connection to the pressure tank. Using appropriate 3/4 in. or 1 in. galvanized nipple, wrap the threads 5 times with pipe tape or apply pipe paste (pipe dope) and install in top of pump. (**Fig. 1**)



2. Install a 1 x 1 x 1 in. galvanized tee fitting. (**Fig. 2**)

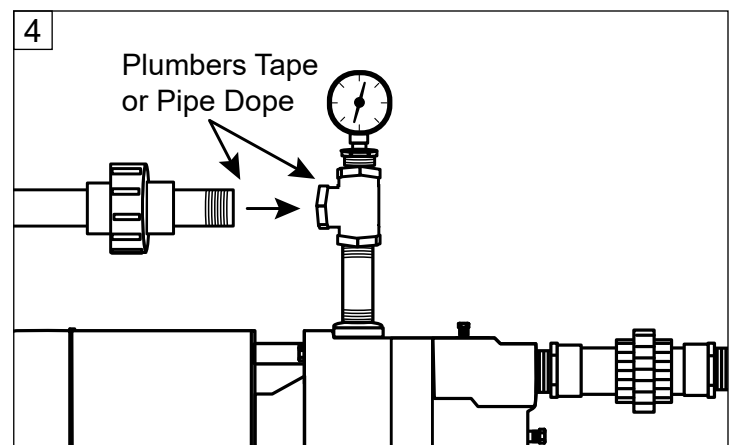


3. Install a 1 in. MPT x 1/4 in. FPT galvanized bushing and pressure gauge (optional), or a pipe plug. Do not tighten, as you will prime your pump later at this location. (**Fig. 3**)



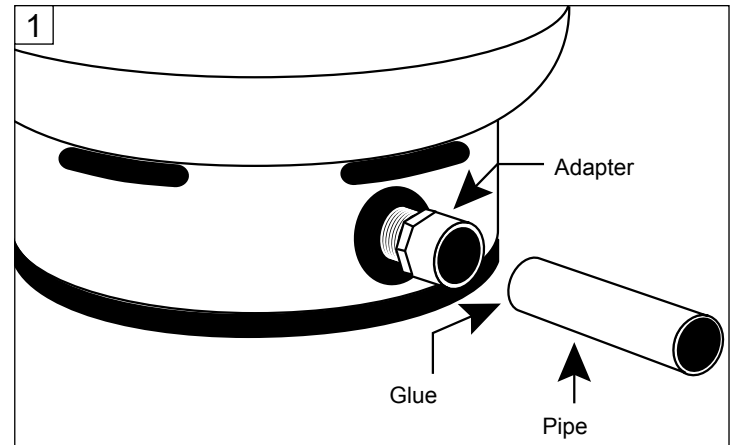
4. Continue with fittings and pipe to the pressure tank. A 1 in. union (optional) is recommended for easy connection and disconnection. (**Fig. 4**)

NOTE: A transition to 3/4" pipe may be required to connect to existing plumbing.

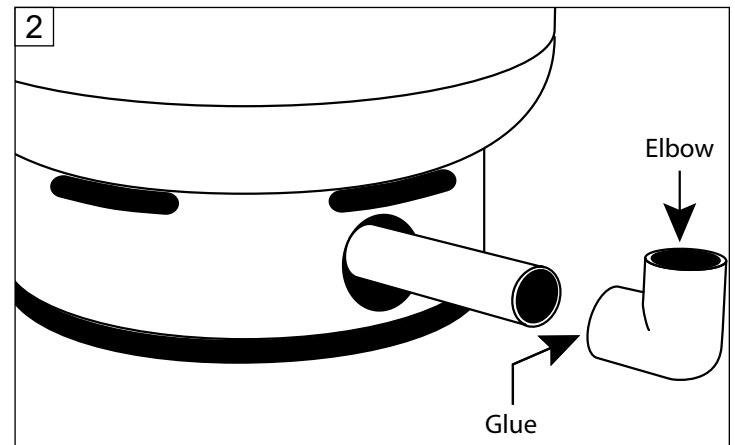


TANK TO HOUSE CONNECTION

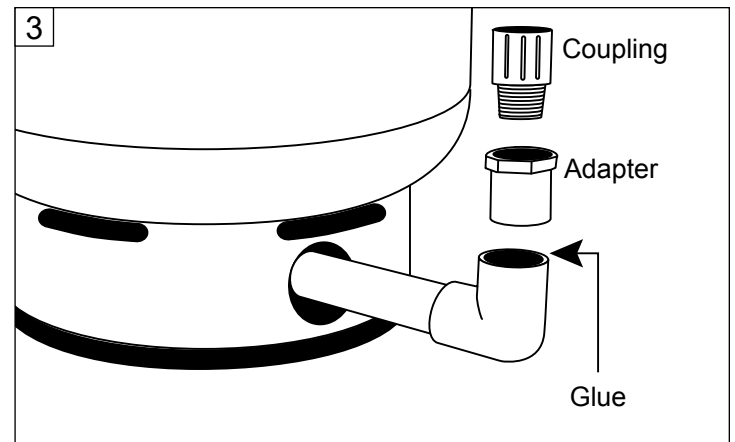
1. Most pressure tanks will have a 1 inch inlet elbow on the bottom. Connect to this elbow with a 1 in. MPT x 1 in. slip (glue) adapter and short piece of pipe. (**Fig 1**)



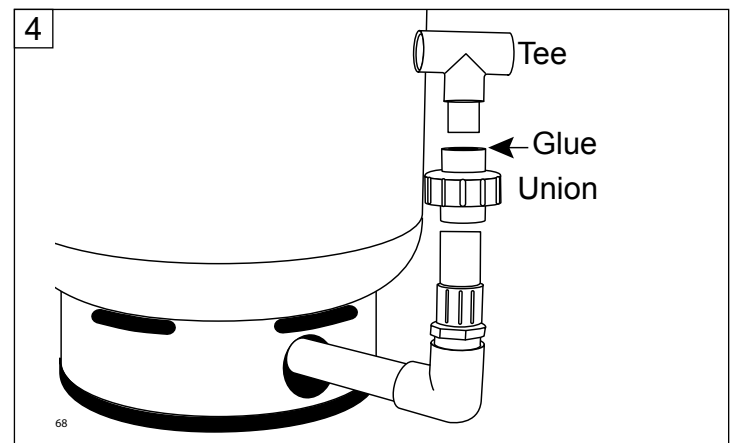
2. Install a 1 in. elbow. (**Fig. 2**)



3. Attach a 1 in. pipe to the elbow and a 1 in. x 3/4 in. reducer bushing to the pipe. (**Fig. 3**)

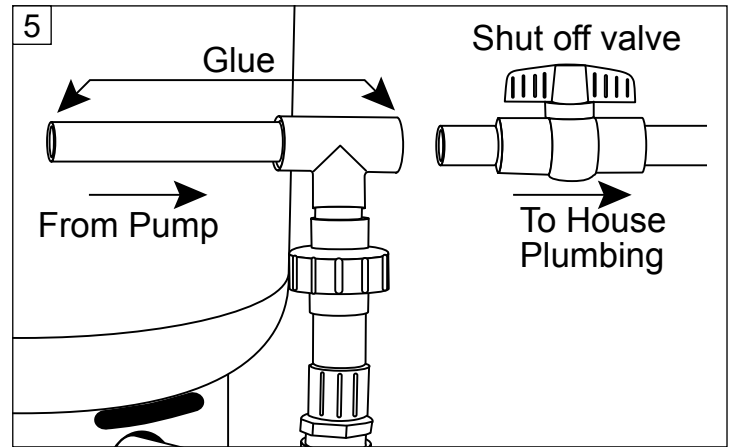


4. Attach a 3/4 in. pipe to the reducer bushing. Install an optional 3/4 in. union and continue with pipe and 3/4 in. x 3/4 in. x 3/4 in. tee. (**Fig. 4**)

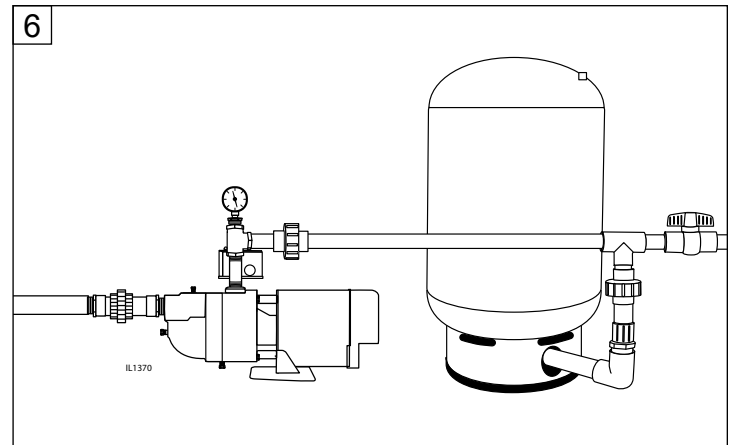


TANK TO HOUSE CONNECTION (CONTINUED)

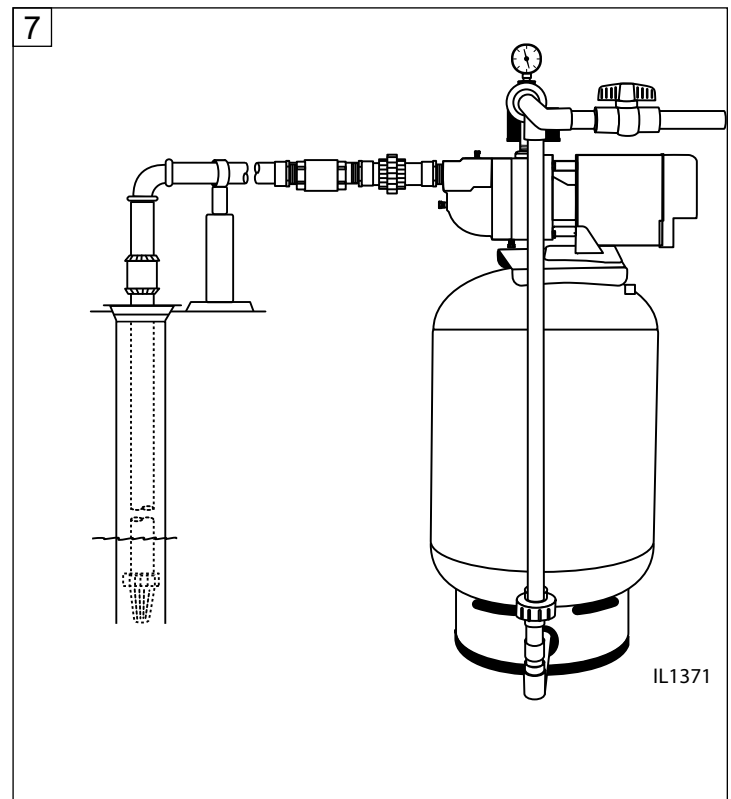
5. Make the connection to the house plumbing.
From the tee, install pipe and shut off valve (optional). (**Fig 5**)



6. Completed installation with piping and tank is shown (**Fig. 6**)



7. Optional tank mounted system is shown.
Connections are basically the same as explained in previous steps. (**Fig. 7**)



PUMP ELECTRICAL CONNECTIONS

⚠ CAUTION: All wiring should be performed by a qualified electrician in accordance with the National Electric Code and local electric codes.

⚠ CAUTION: Connect the pump to a separate electrical circuit with a dedicated circuit breaker. Refer to the Wire Size Chart for proper fuse size.

⚠ WARNING: Under-size wiring can cause motor failure and even fire. Use proper wire size specified in the Wire size chart.

⚠ WARNING: Replace damaged or worn wiring cord immediately.

⚠ WARNING: Do not kink power cable and never allow the cable to come in contact with oil, grease, hot surfaces, or chemicals.

⚠ CAUTION: Protect the power cable from coming in contact with sharp objects.

⚠ WARNING: The pump must be properly grounded using the proper wire cable with ground.

⚠ WARNING: Always disconnect pump from electricity before performing any work on the motor.

Wiring the pressure switch

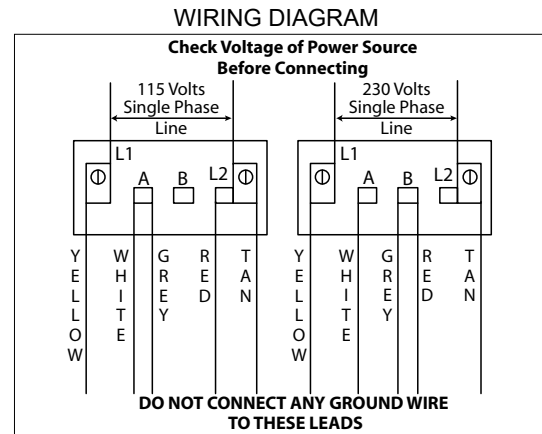
1. **CAUTION:** Make certain that the power source matches the pump requirements. This pump has a dual voltage motor and can run on 115V or 230V. See pump label for voltage prewired at the factory. (**Fig. 1**)

NOTE: To change pump voltage, see wiring diagram on this page or step-by-step instructions on page 14.

2. Screw the pressure switch into the 1/4 in. opening on the top of the pump and remove the switch cover. (**Fig. 2**)

WIRE SIZE CHART										
Distance from Motor to Meter	Recommended Copper Wire and Fuse Sizes									
	Single Phase Motors									
	1/3 HP		1/2 HP		3/4 HP		1 HP		1-1/2 HP	
	115 Volt	230 Volt	115 Volt	230 Volt	115 Volt	230 Volt	115 Volt	230 Volt	115 Volt	230 Volt
0-50 Ft.	14	14	14	14	14	14	12	14	12	14
50-100 Ft.	14	14	12	14	10	14	10	14	8	14
100-150 Ft.	12	14	10	14	8	14	8	14	6	14
150-200 Ft.	10	14	8	14	8	14	6	12	6	12
200-300 Ft.	8	14	6	12	6	12	4	10	4	10
Fuse Size (Amps)	15	15	15	15	15	15	20	15	20	15

(*) Not economical to run in 115V, use 230V



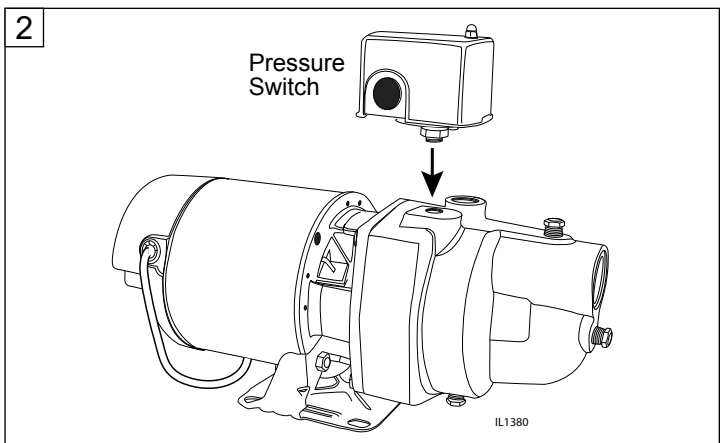
1 Motor: **98L105**

HP:	1/2	PH	1	Hz	60
Volts:	115/230	S.F.	1.2	Amps	6.4/3.2
S.F. Amps:	8.6/4.3	RPM	3450	Type	C
Duty:	Cont.	Temp	65C	KVA Code	G
Frame	56L	Ins Class	B		

Factory prewired for 115V Thermally protected automatic
 Check voltage of power source Use copper conductors only

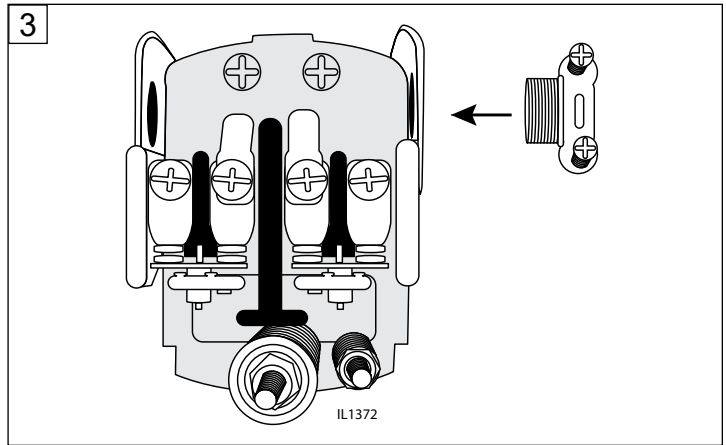
⚠ ELECTRICAL HAZARD ⚡

Improper installation may result in fire, explosion, electrical short or injury. Replace all covers before operating. Ground motor in accordance with local and national electrical codes. Disconnect power source before touching internal parts. Motors equipped with automatic protection may restart without warning. See instruction manual for proper installation procedure. Se reporter au manuel d'instructions pour suivre la procédure adéquate d'installation. Consulte el instructive para conocer el procedimiento de instalación correcto.

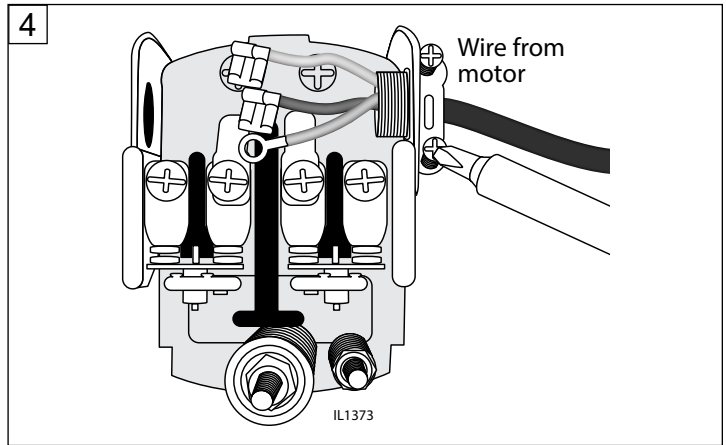


PUMP ELECTRICAL CONNECTIONS (CONTINUED)

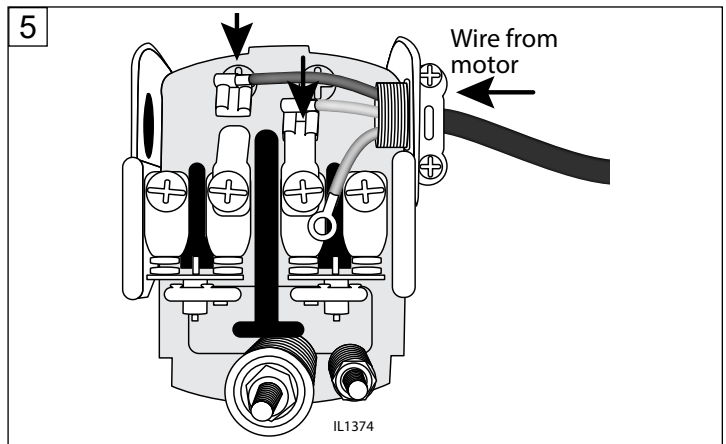
3. Insert an electrical wire strain relief into the opening in the side of the pressure switch closest to the motor. (**Fig. 3**)



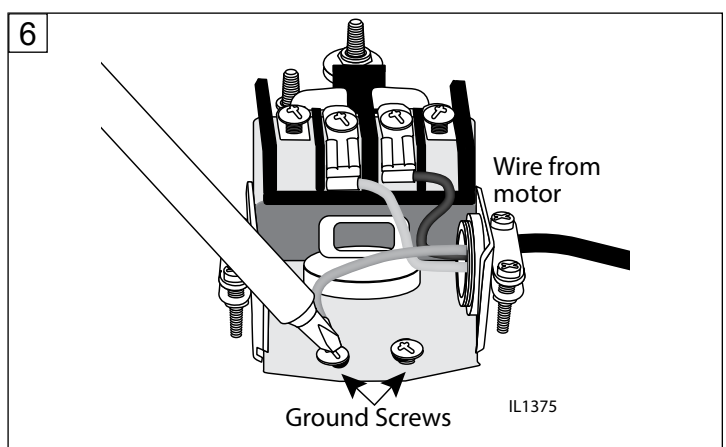
4. Thread the cable from the pump motor through the strain relief into the pressure switch cavity and tighten both screws on the strain relief. Do not crush wire. (**Fig. 4**)



5. Connect the two motor wires of the motor cable to the two inside terminals on the pressure switch. (**Fig. 5**)

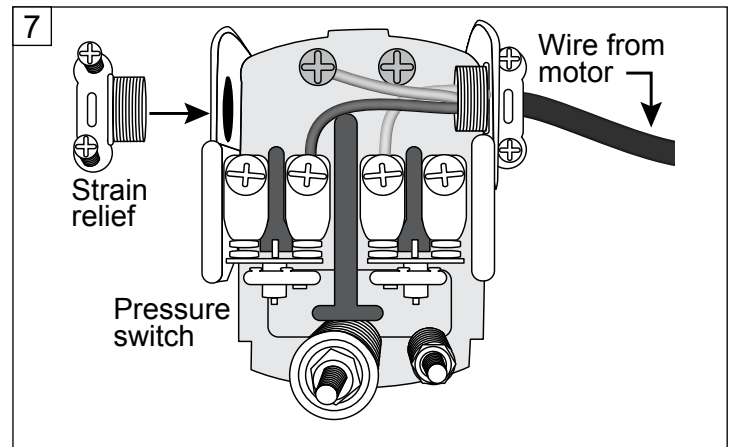


6. Connect the green ground wire from the motor cable to one of the green ground screws at the bottom of the pressure switch. (**Fig. 6**)

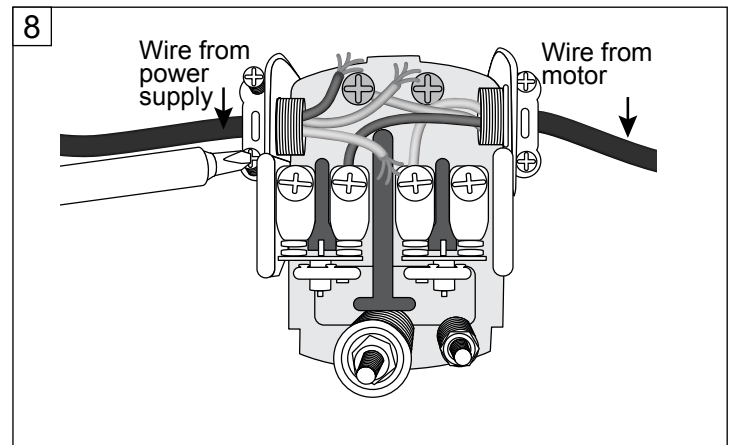


PUMP ELECTRICAL CONNECTIONS (CONTINUED)

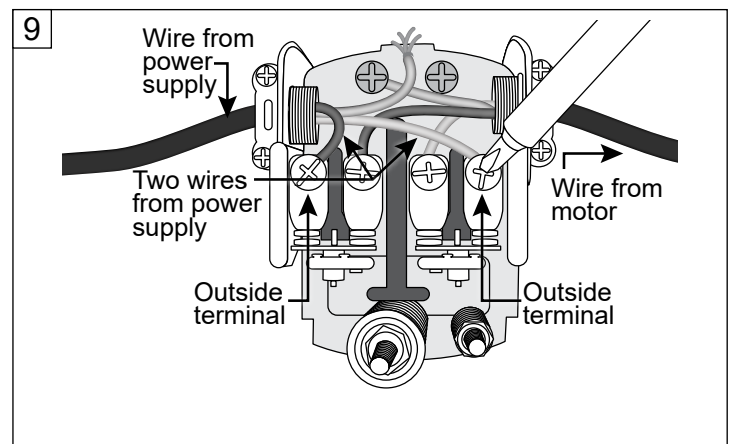
7. Insert an electrical wire strain relief into the opening in the opposite side of the pressure switch. (**Fig. 7**)



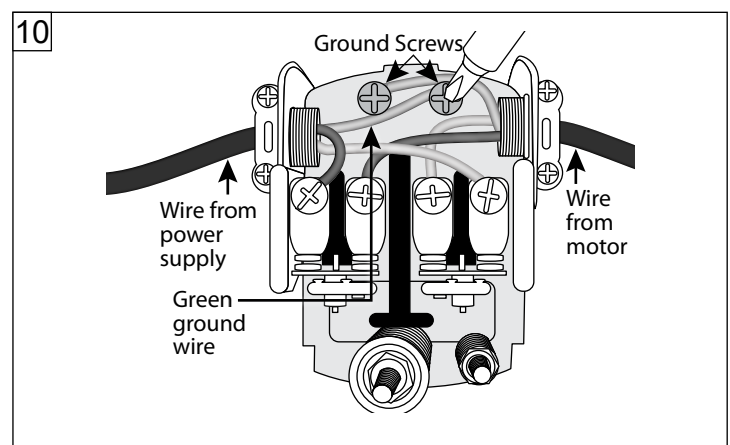
8. Thread the cable from the power supply through the strain relief and tighten both screws on the strain relief. Do not crush wire. (**Fig. 8**)



9. Connect the two wires from the power supply to the two outside terminals on the pressure switch. (**Fig. 9**)



10. Connect the green ground wire from the power supply to the remaining green ground screw in the pressure switch and re-attach the pressure switch cover. (**Fig. 10**)



PUMP ELECTRICAL CONNECTIONS (CONTINUED)

To change from 115V to 230V

11. The motor of this pump is dual voltage and can run on either 115V or 230V. In general, 230V is more economical to run, and requires a smaller wire size. Most models are pre-set in the factory to run at 115V. NOTE: See pump label to verify voltage prewired at the factory. (Fig. 11)

11	Motor:	98L105			
HP:	1/2	PH	1	Hz	60
Volts	115/230	S.F.	1.2	Amps	6.4/3.2
S.F. Amps:	8.6/4.3	RPM	3450	Type	C
Duty:	Cont.	Temp	65C	KVA Code	G
Frame	56L	Ins Class	B		

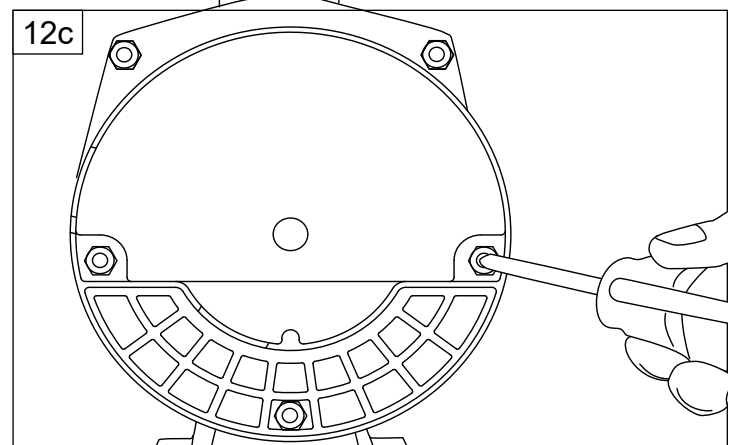
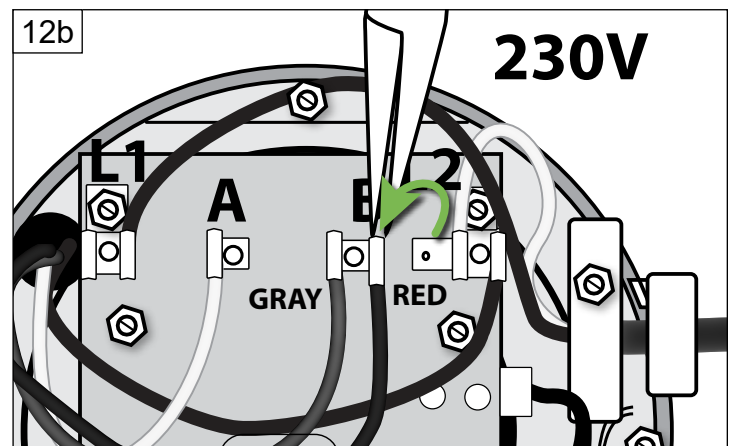
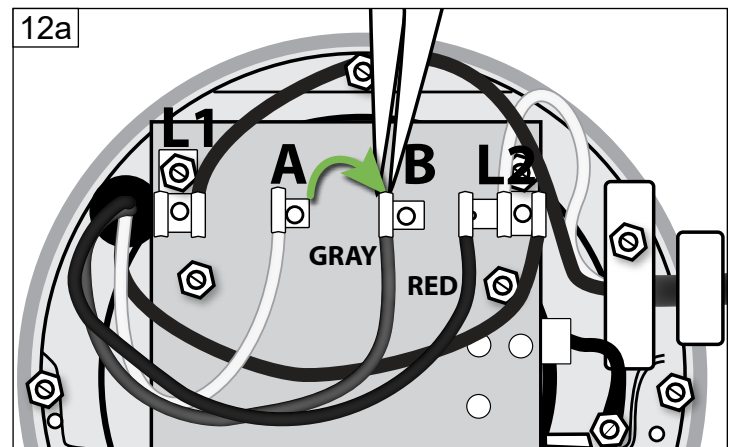
Factory prewired for 115V Thermally protected automatic
Check voltage of power source Use copper conductors only

⚠ ELECTRICAL HAZARD ⚡

Improper installation may result in fire, explosion, electrical short or injury. Replace all covers before operating. Ground motor in accordance with local and national electrical codes. Disconnect power source before touching internal parts. Motors equipped with automatic protection may restart without warning. See instruction manual for proper installation procedure. Se reporter au manuel d'instructions pour suivre la procédure adéquate d'installation. Consulte el instructive para conocer el procedimiento de instalación correcto.

12. For 230V service, change the following wires on the terminal board:

- Using a pair of needle nose pliers, pull the gray wire with the female flag connector from the "A" terminal spade post. Place it to the right on the "B" terminal space post. (Fig. 12a)
- Pull the red wire with the female flag connector from the "L2" terminal. Place it to the left on the "B" terminal space post. (Fig. 12b)
- Reinstall the rear motor cover. (Fig.12c)



NOTE: To change voltage from 230V to 115V, simply reverse instructions above.

PUMP PRIMING & STARTUP

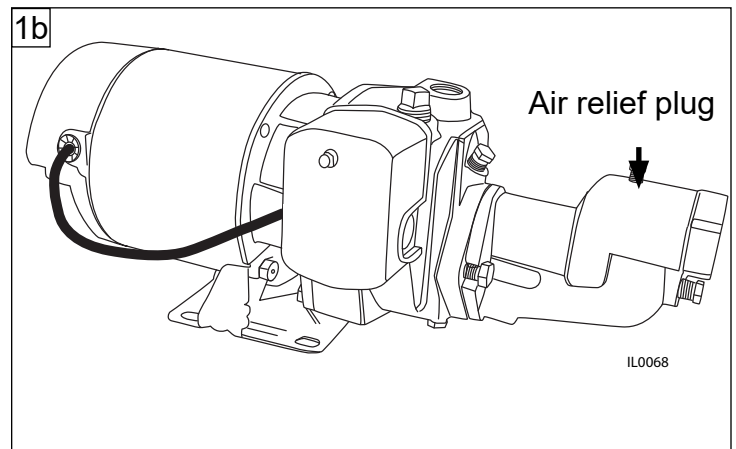
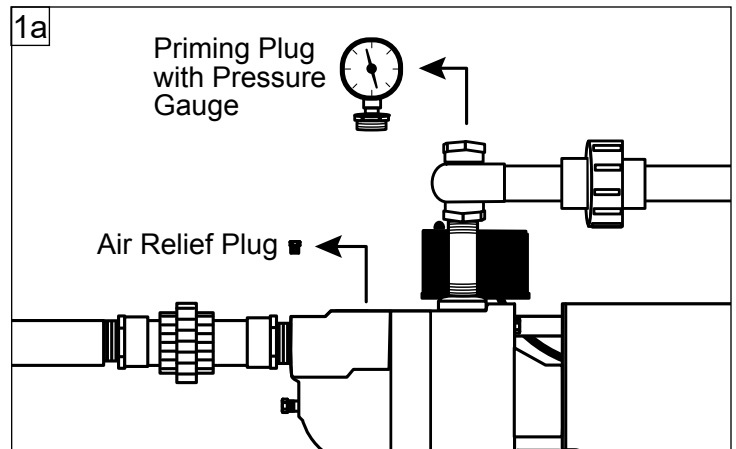
PRIMING

⚠ CAUTION: All pumps must be primed (filling the cavity with water) before they are first operated. This may take several gallons of water, as both the pump cavity and the suction line up to the check valve will need to be filled.

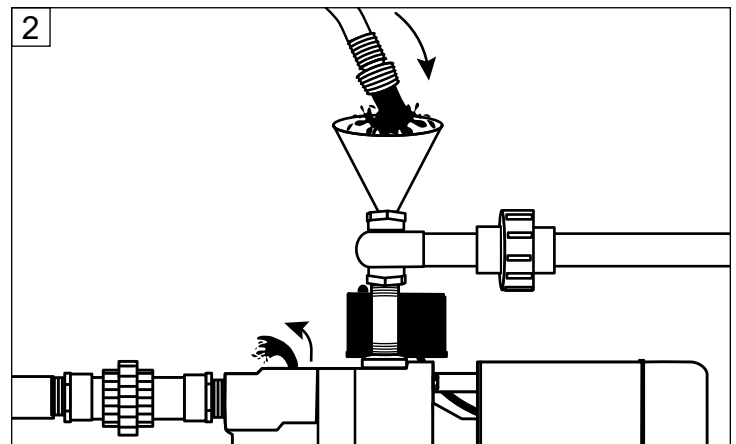
1. Remove the priming plug with pressure gauge and air relief plug.

(Fig. 1a with built-in ejector)

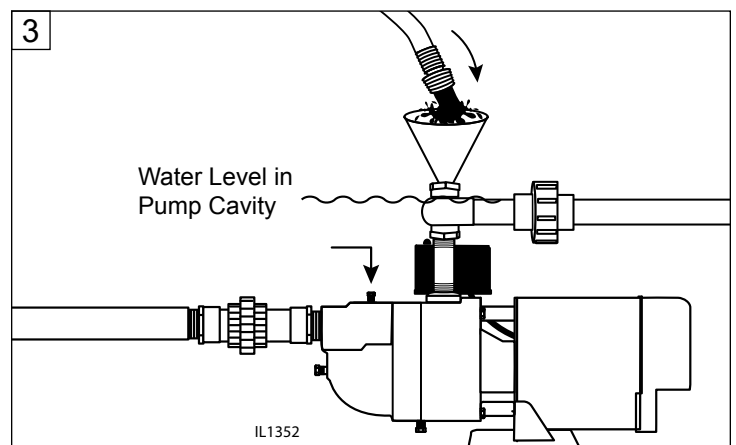
(Fig. 1b with bolt-on ejector)



2. Slowly fill pump cavity until water comes out of air relief hole on top of the pump. (Fig. 2)

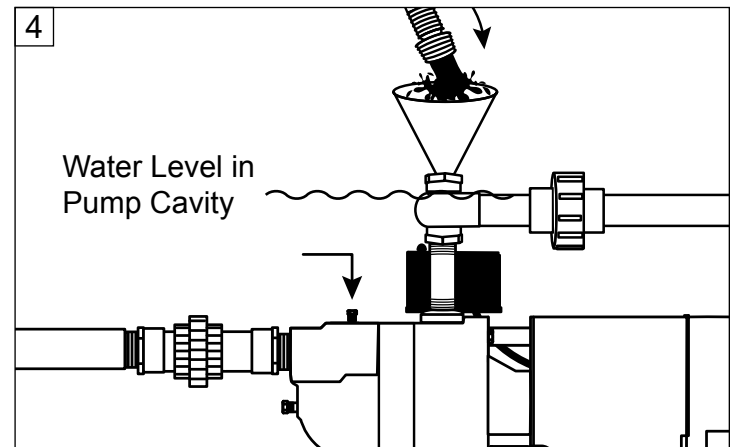


3. Replace air relief plug and continue adding water to pump cavity until water reaches the top of the priming plug. (Fig. 3)

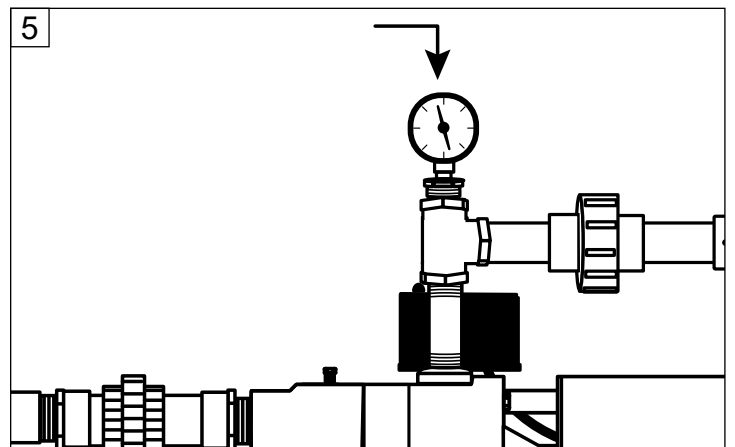


PUMP PRIMING & STARTUP (CONTINUED)

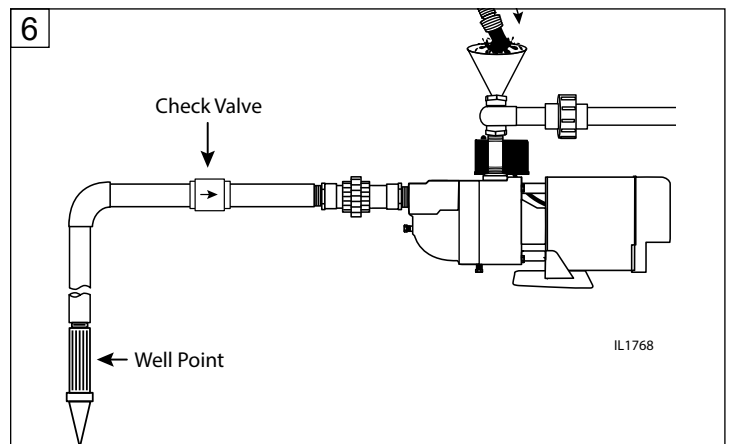
4. Check to be sure water in pump cavity stays constant. If water level goes down, it could indicate a leak in the foot valve, check valve or suction pipe. **(Fig. 4)**



5. Thread in priming plug and then open optional ball valve if installed by turning handle to line up with the pipe. **(Fig. 5)**



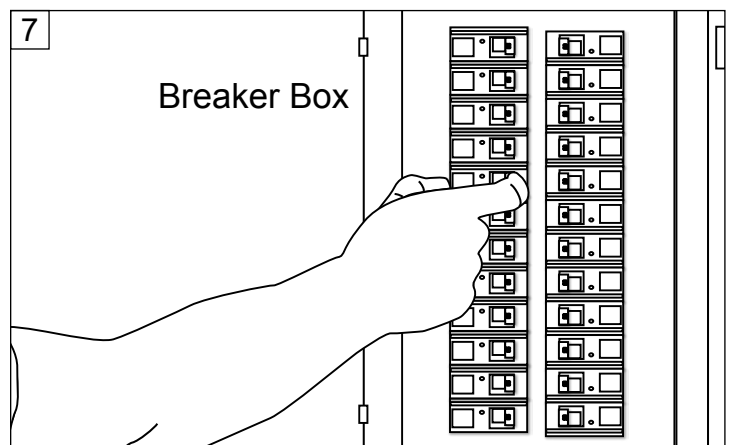
6. PRIMING NOTE: Several priming attempts may be necessary, depending on the length of suction pipe and location of check valve if a well point is being used.



7. Turn on breaker to start pump. **(Fig. 7)**

⚠ IMPORTANT: If the pump hums instead of pumping or turns off repeatedly, shut pump off immediately.

Check voltage. Make sure your incoming voltage matches the pump wiring voltage. See wiring guide in the instructions.



PUMP PRIMING & STARTUP (CONTINUED)

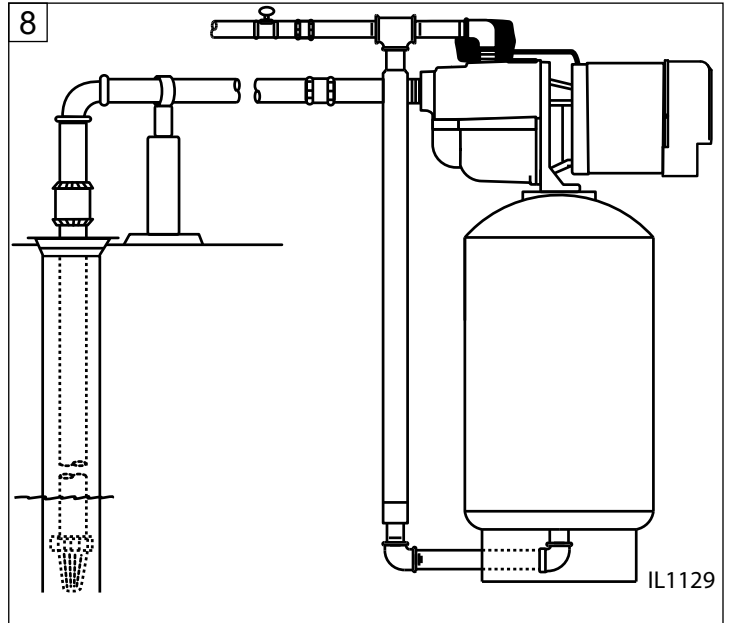
⚠ IMPORTANT: If the pump fails to prime within five minutes:
Turn power off at the breaker box and check all pipe connections for leaks. All connections must be water and air tight in order for pump to operate.

8. All piping from the well to the pump should slope slightly upward with no sagging. Support suction pipe between water source and pump. Unions in the suction line near the pump and well will aid in servicing. Be sure to leave enough room so that wrenches can be used easily.

(Fig. 8)

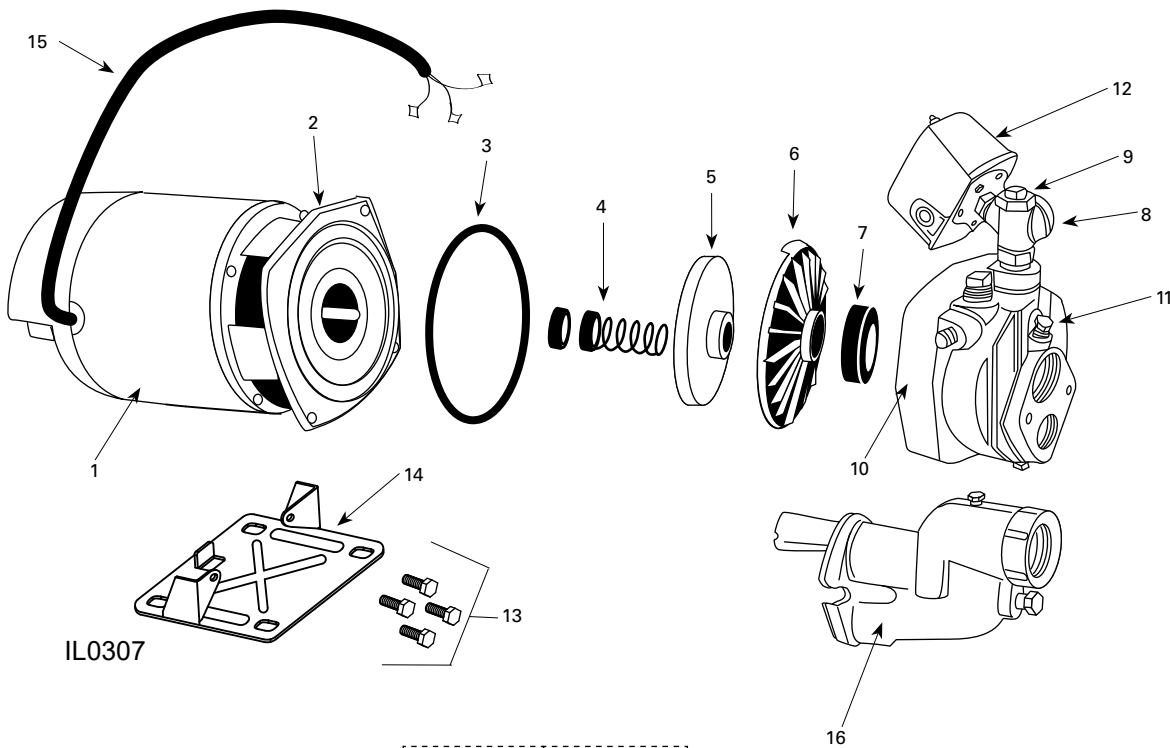
NOTE: Look for leaks or a milky color in the discharged water, which indicates an air leak. Re-prime if necessary, following steps 1 through 6 above. Reset breaker at the breaker box. All connections must be water and air tight in order for pump to operate.

Questions? Call 1-800-742-5044 Monday - Friday 7:30 am - 5:00 pm EST.



SHALLOW & DEEP WELL JET PUMP REPAIR PARTS

(For Pricing Refer To Repair Parts Price List)

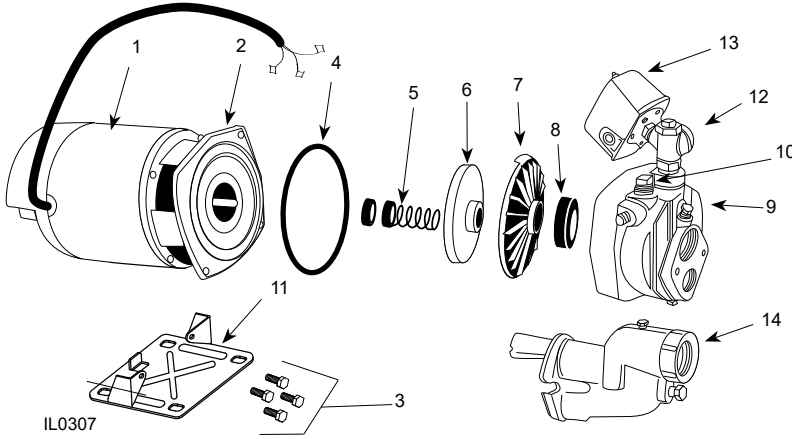


			JHU05AT44H 416967	JHU07AT44H 429619	436224		
HORSEPOWER			1/3	1/2	3/4	1	1-1/2
"SW" SHALLOW WELL MODEL NO.			JH03S JHU03S	JH05S JHU05S	JH07S JHU07S	JH10S JHU10S	JHU15S
"CONV" CONVERTIBLE MODEL NO.			JH03 JHU03	JH05 JHU05	JH07 JHU07	JH10 JHU10	
ITEM	DESCRIPTION	QTY.	PART NO.				
1	Motor, Nema J	1	98J103	98J105	98J107	98J110	98J115
2	Mounting Ring	1	134162	134162	134163	134163	134163
3	Ring, Square Cut	1	132583	132583	132429	132429	132429
4	Seal, Rotary w/Spring	1	131100	131100	131100	131100	131100
5	Impeller	1	139348	139349	134137	134138	134138
6	Diffuser	1	132424	132424	132425	132425	132425
7	Rubber, Diffuser	1	132428	132428	132428	132428	132428
8 & 9	Control Assembly †	1	134349	134349	134349	134349	N/A
8	Control Body	1	135019	135019	135019	135019	135019
9	Flow Control Screw	1	124330	124330	124330	124330	124330
10	Pump Body	1	134121	134121	134121	134123	134123
11	Plug 1/4" NPT	3	*	*	*	*	*
11	Plug 1/2" NPT		N/A	N/A	N/A	N/A	N/A
12	Pressure Switch	1	020345	020345	020345	020345	020345
13	Cap Screws, 3/8 x 3/4"	8	*	*	*	*	*
14	Base	1	128034	128034	128034	128034	128034
15	Lead Wire	1	136135A	136135A	136135A	136135A	136136A
16	Ejector Pkg. "SW" Models	1	SW03E-1626	SW05E-1630	SW07E-1432	SW10E-1334	SW15E-1836
‡	Ejector Gasket w/Bolts	1	132404	132404	132404	132404	132404
‡	Nozzle	1	-	-	-	-	-
‡	Venturi	1	-	-	-	-	-

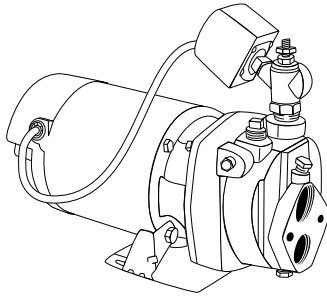
(†) Control assembly required on convertible models only
 (*) Standard hardware item
 (‡) Not Shown
 (††) Impeller with 138138 Seal Ring

CONVERTIBLE and SHALLOW WELL JET PUMP REPAIR PARTS "CPH" SERIES

(For Pricing Refer To Repair Parts Price List)

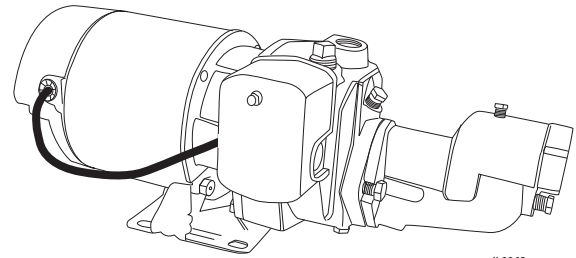


IL0307



IL0945

"CPH" Convertible



IL0068

"CPHS" Shallow Well

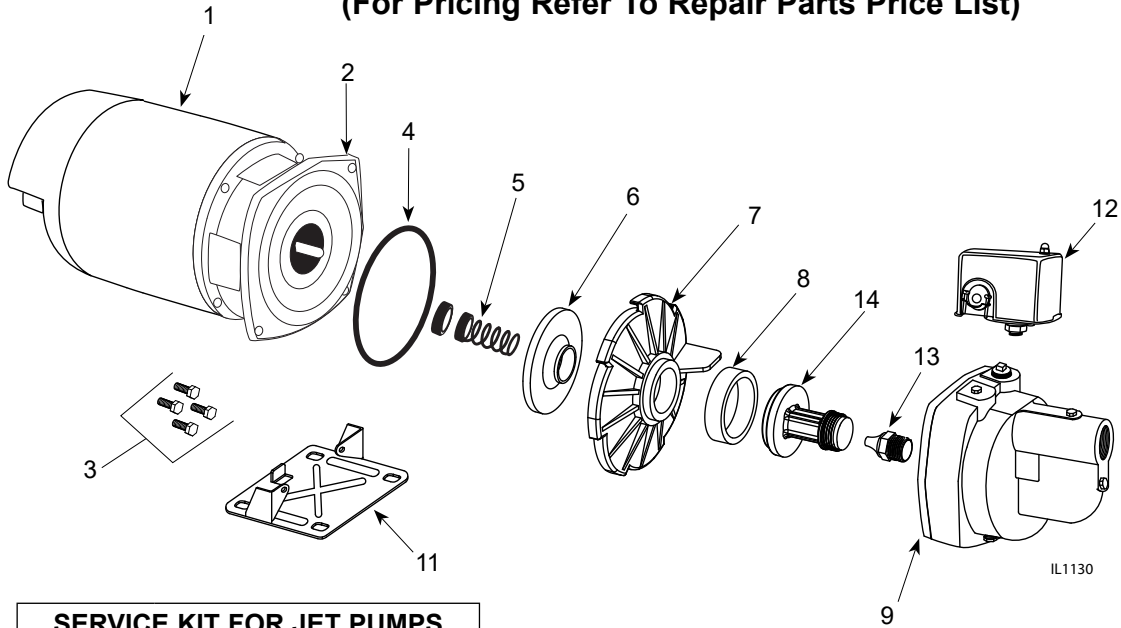
SERVICE KIT FOR JET PUMPS	
MODEL NO	SERVICE KIT FOR:
148143	1/3HP, CPJ & CPH Jet Pumps
148141	1/2HP, CPJ & CPH Jet Pumps
148140	3/4HP, CPJ & CPH Jet Pumps
023705	1HP, CPJ & CPH Jet Pumps and VPH10
KIT CONTAINS Impeller, Diffuser, Rotary Seal, Square Cut Ring, Diffuser Rubber	

ITEM	HORSEPOWER	PART NO.	CPHX03	CPHX05	CPH07126 CPHX07	1
			1/3	1/2	3/4	
MODEL NO.: "CPH" Convertible		QTY.	CPH03	CPH05	CPH07	CPH10
"CPHS" Shallow Well			CPH05R	CPH07R	CPH10R	
DESCRIPTION			CPH03S	CPH05S	CPH07S	CPH10S
1	Motor, Nema J (Thd) Motor Cover w/screws Screws, Cover Motor Lead Wire	021301R 021302 136135A	98J103 1 2 1	98J105 1 2 1	98J107 1 2 1	98J110 1 2 1
2	Mounting Ring	*	135314	135314	136137	136137
3	Hex Hd. Cap Screws 3/8 x 3/4"	*	4	4	4	4
4	Ring, Square Cut		132583	132583	132429	132429
5	Seal, Rotary w/Spring	131100	1	1	1	1
6	Impeller		139348††	139349††	134137	134138
7	Diffuser		132424	132424	132425□	132425□
8	Rubber, Diffuser	132428	1	1	1	1
9	Pump Body		134311	134311	134312	134312
10	Plug, Priming	*	1/2" NPT	1/2" NPT	1/2" NPT	1/2" NPT
11	Base	128034	1	1	1	1
12	Control Assembly "CPH" Convertible	134349	1	1	1	1
	Control Body	135019	1	1	1	1
	Flow Control Screw	124330	1	1	1	1
13	Pressure Switch "CPH" Convertible			132527	132527	132527
13	Pressure Switch "CPHS" Shallow Well	132527	1	1	1	1
14	Shallow Well Ejector Package-"CPHS"		SW03E-1626	SW05E-1630	SW07E-1432	SW10E-1334
†	Ejector Gasket Pkg w/Bolts	132404	1	1	1	1
†	Ejector Gasket	130969	1	1	1	1

(*) Standard hardware item
 (†) Not shown
 (††) Impeller w/ 138138 Seal Ring
 (□) Diffuser w/ 134240 Insert

SHALLOW WELL JET PUMP w/INTEGRAL JET REPAIR PARTS "EK" SERIES

(For Pricing Refer To Repair Parts Price List)



SERVICE KIT FOR JET PUMPS	
MODEL NO	KIT CONTAINS
KF04 ^A	Rotary Seal, Quadraseal (2), Diffuser Rubber
KF05 ^B	Impeller, Rotary Seal, Quadraseal and Diffuser Rubber
KF07 ^C	
KF10 ^D	

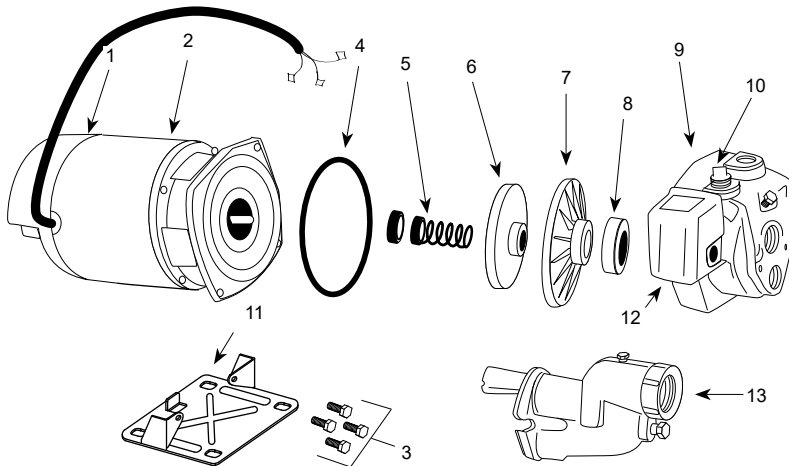
- A. Applies to all Horizontal Cast Iron Jet Pumps
 - B. Applies to 1/2HP, "E" Series Jet Pumps*
 - C. Applies to 3/4HP, "E" Series Jet Pumps*
 - D. Applies to 1HP, "E" Series Jet Pumps*
- *Order Diffuser Separately

EK05SAT25H EK05SQ ES05SAT25H 416959 433217	EK05SAT44H	433215
--	------------	--------

ITEM	HORSEPOWER		1/2	3/4	3/4
	MODEL NO.:	PART NO.	EK05S ES05S REV C	EK07S REV C	ES07S REV C
	DESCRIPTION		QTY.		
1	Motor, Nema J (Thd) Motor Cover w/Screws Screws, Cover	021301R 021302	98J105 1 2	98J107 1 2	98J107 1 2
†	Motor Lead Wire	136135A	1	1	1
2	Mounting Ring	135314	1	1	1
3	Hex Hd. Cap Screws 3/8 x 3/4"	*	4	4	4
4	Ring, Square Cut	132583	1	1	1
5	Seal, Rotary w/Spring	131100	1	1	1
6	Impeller		023502††	139349††	139349††
7	Diffuser		132424	132424	132424
8	Rubber, Diffuser	132428	1	1	1
9	Pump Body		023381	023381	023381
11	Base	128034A	1	1	1
12	Pressure Switch - EK		020345	020346	020345
13	Nozzle		4C3915	4C3916	4C3916
14	Venturi		4C6026	4C6032	4C6032

(*) Standard hardware item
 (†) Not shown
 (††) Impeller w/ 138138 Seal Ring

SHALLOW WELL JET PUMP REPAIR PARTS "E" SERIES (For Pricing Refer To Repair Parts Price List)



SERVICE KIT FOR JET PUMPS	
MODEL NO	SERVICE KIT FOR:
148143	1/2HP, "E" Series Jet Pumps*
148141	3/4HP, "E" Series Jet Pumps*
148140	1HP, "E" Series Jet Pumps*
KIT CONTAINS Impeller, Diffuser, Rotary Seal, Square Cut Ring, Diffuser Rubber	

ITEM	HORSEPOWER		1/2	3/4	1	1
	MODEL NO.:	PART NO.	EK05	EK07	EK10	EK10S
	DESCRIPTION		QTY.			
1	Motor, Nema J (Thd)		98J105	98J107	98J1071	98J110
	Motor Cover w/Screws	021301R	1	1	1	1
	Screws, Cover	021302	2	2	2	2
†	Motor Lead Wire	136135A	1	1	1	1
2	Mounting Ring		135314	135314	136137	135314
3	Hex Hd. Cap Screws 3/8 x 3/4"	*	4	4	4	4
4	Ring, Square Cut		132583	132583	132429	132583
5	Seal, Rotary w/Spring	131100	1	1	1	1
6	Impeller		139348††	139349††	134137	134137
7	Diffuser		132424	132424	132425□	132425□
8	Rubber, Diffuser	132428	1	1	1	1
9	Pump Body		134311	134311	134312	134123
10	Plug, Priming	*	1/2" NPT	1/2" NPT	1/2" NPT	1/2" NPT
11	Base	128034A	1	1	1	1
12	Pressure Switch		020345	020346	020346	020346
13	Ejector Body	135021	1	1	1	1
†	Ejector Gasket Pkg w/Bolts	132404	1	1	1	1
†	Nozzle		4C39-16	4C39-16	4C39-14	4C3914
†	Venturi		4C55-26	4C55-30	4C55-32	4C5532

(*) Standard hardware item
 (†) Not shown
 (††) Impeller w/ 138138 Seal Ring
 (□) Diffuser w/ 134240 Insert

TROUBLESHOOTING

Problem	Possible Cause	Corrective Action
Little or no discharge	1. Casing not initially filled with water	1. Fill pump casing
	2. Suction lift too high, or too long	2. Move pump closer to water source
	3. Hole or air leak in suction line	3. Repair or replace. Use pipe tape and pipe sealing compound
	4. Foot valve too small	4. Match foot valve to piping or install one size larger foot valve.
	5. Foot valve or suction line not submerged deep enough in water	5. Submerge lower in water
	6. Motor wired incorrectly	6. Check wiring diagram
	7. Casing gasket leaking	7. Replace
	8. Suction or discharge line valves closed	8. Open
Pump will not deliver water or develop pressure	1. No priming water in casing	1. Fill pump casing
	2. Leak in suction line	2. Repair or replace
	3. Discharge line is closed and priming air has nowhere to go	3. Open ball valve
	4. Suction line (or valve) is closed	4. Open
	5. Foot valve is leaking	5. Replace foot valve
	6. Suction screen clogged	6. Clean or replace
Loss of suction	1. Air leak in suction line	1. Repair or replace
	2. Suction lift too high	2. Lower suction lift, install foot valve and prime
	3. Insufficient inlet pressure or suction head	3. Increase inlet pressure by adding more water to tank or increasing back pressure
	4. Clogged foot valve or strainer	4. Unclog
Pump vibrates and/or makes excessive noise	1. Mounting plate or foundation not rigid enough	1. Reinforce
	2. Foreign material in pump	2. Disassemble pump and clean
	3. Impeller damaged	3. Replace
	4. Worn motor bearings	4. Replace
Pump will not start or run	1. Improperly wired	1. Check wiring diagram on motor
	2. Blown fuse or open circuit breaker	2. Replace fuse or close circuit breaker
	3. Loose or broken wiring	3. Tighten connections, replace broken wiring
	4. Stone or foreign object lodged in impeller	4. Disassemble pump and remove foreign object
	5. Motor shorted out	5. Replace
	6. Thermal overload has opened circuit	6. Allow unit to cool, restart after reason for overload has been determined

QUICK TROUBLE-SHOOTING CHECKLIST

Please review the following troubleshooting questions before returning a pump as defective. If you have any questions, please call Customer Service at (800) 742-5044.

√	CHECK LIST
A	Check date code to make sure pump is within warranty period. Date code is the month and the year. (Example: 0311 is March of 2011. Date Code is found on the top of the pump.)
B	Make certain that the power source matches the pump requirements. This pump has a dual voltage motor and can run on 115V or 230V. See pump label for voltage prewired at the factory.
C	If pump does not run, check the GFI or breaker panel switch to make it is in full operation.
D	If the pump runs all the time, make sure the pump has been primed correctly. If pump is not holding the prime, inspect check valve, foot valve, and piping, then reprime.
E	If the pump runs but won't shut off, check pressure switch.

A

E

B

Motor:	98L105				
HP:	1/2	PH	1	Hz	60
Volts:	115/230	S.F.	1.2	Amps	6.4/3.2
S.F. Amps:	8.6/4.3	RPM	3450	Type	C
Duty:	Cont.	Temp	65C	KVA Code	G
Frame:	56L	Ins Class	B		

Factory prewired for 115V
Check voltage of power source

Thermally protected automatic
Use copper conductors only

C

D

CARE AND MAINTENANCE

Winterizing

⚠ CAUTION: Drain the entire system if there is danger of freezing. A drain plug is provided at the bottom of the pump case for this purpose. (Fig 1).

1

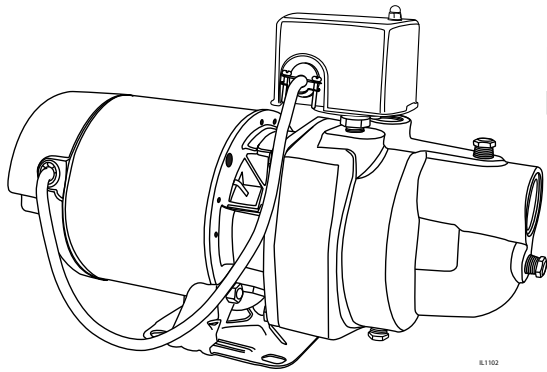
PREVENT PUMP DAMAGE!

Remove plug in freezing weather

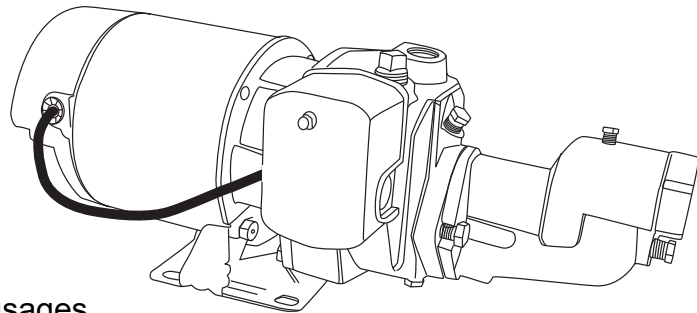
IL1111

POMPES À JET POUR PUIXS DE SURFACE

110 West Division St. | Boonville, IN 47601



Pompe à jet intégral
pour puits de surface



Pompe à usages
multiples pour puits de
surface



S'il y a des pièces desserrées, manquantes ou endommagées ou si le produit ne semble pas fonctionner correctement, communiquez avec le détaillant avant de retourner le produit.

Numéro de téléphone : 1 800 742-5044
Heures d'ouverture :
du lundi au vendredi entre 7 h 30 et 17 h (HNE)

023448 P

CARACTÉRISTIQUES DU PRODUIT

Tableau des Données du Moteur

Modèle	HP	Phase	Volts	Intensité maximale (en ampères)	Intensité à rotor bloqué (en ampères)
JH03S	1/3	1	115 or 230	8.6/4.3	26.0/13.0
CPH05S	1/2	1	115 ou 230	13,0/6,5	36,0/18,0
Tous les autres	1/2	1	115 ou 230	8,6/4,3	26,0/13,0
Tous	3/4	1	115 ou 230	13,0/6,5	36,0/18,0
Tous	1	1	115 ou 230	14,0/7,0	52,0/26,0
Tous	1-1/2	1	115 ou 230	21,0/10,5	98,0/49,0

Tableau des Tailles de Refoulement

1 in.			3/4 in.
416959	CPHX05S1524	EK07SAT44H	JHU03S
433217	CPHX07S1632	ES05S	
433225	EK05S	ES05SAT25H	
CPH071726	EK07S	ES07S	
CPH07S	EK10S	JHU10S	
CPH10S	EK05SAT25H	JHU15S	
CPHX03S1422	EK05SQ		

IMPORTANT :

Cette pompe à jet est conçue pour une tension de 115 V ou de 230 V. L'étiquette de la pompe indiquera si la pompe est précâblée pour une tension de 115 V ou de 230 V.

CONSIGNES DE SÉCURITÉ

Assurez-vous de lire et de comprendre l'intégralité du présent manuel avant de tenter d'assembler, d'utiliser ou d'installer le produit. Si vous avez des questions concernant ce produit, veuillez téléphoner au service à la clientèle au 1 800 742-5044, entre 7 h 30 et 17 h (HNE), du lundi au vendredi.

DANGER :

1. Débranchez toujours l'appareil de la source d'alimentation avant d'effectuer tout travail d'entretien sur le moteur, près du moteur ou sur les charges qui y sont branchées. Si le point de débranchement est hors de vue, verrouillez la pompe en position ouverte et placez-y une étiquette d'avertissement pour éviter une mise sous tension accidentelle. Le non-respect de cette procédure peut causer un choc électrique mortel.
2. Ne manipulez pas la pompe si vous avez les mains mouillées ou les pieds dans l'eau car vous risqueriez de recevoir un choc électrique. Débranchez l'alimentation électrique principale avant de manipuler le produit pour QUELQUE MOTIF QUE CE SOIT!
3. RISQUE DE CHOC ÉLECTRIQUE. Ces pompes n'ont pas fait l'objet d'une étude quant à leur utilisation dans les aires de piscine.

AVERTISSEMENT :

1. Veuillez suivre tous les codes de sécurité et d'électricité de votre région ainsi que le Code canadien de l'électricité et la Loi sur la santé et la sécurité du travail.
2. Remplacez immédiatement les fils endommagés ou usés.
3. Ne pliez pas le cordon d'alimentation et ne le laissez jamais entrer en contact avec de l'huile, de la graisse, des surfaces chaudes ni des produits chimiques.
4. Branchez le moteur à la tension d'alimentation adéquate – consultez la plaque signalétique du moteur et les schémas des fils et vérifiez la tension de la source d'alimentation.
5. Cet appareil doit être mis à la terre de manière adéquate et sécuritaire. Pour ce faire, il faut raccorder l'appareil à un chemin de câbles à revêtement métallique mis à la terre ou utiliser un fil de mise à la terre distinct raccordé au métal nu du cadre du moteur ou d'autres moyens appropriés.
6. Ce produit contient des produits chimiques reconnus par l'État de la Californie comme étant la cause de cancers, d'anomalies congénitales et d'autres problèmes liés aux fonctions reproductrices.

7. Pression dangereuse! Installez une soupape de décharge dans le tuyau de refoulement. Évacuez toute la pression de l'ensemble du système avant de travailler sur un composant.
8. N'utilisez pas ce produit pour pomper des liquides inflammables ou explosifs tels que l'essence, le mazout, le kérosène, etc. Ne l'utilisez pas dans un milieu inflammable ou explosif.

MISE EN GARDE :

1. Protégez le cordon d'alimentation des objets tranchants.
2. Soyez prudent lorsque vous touchez à un moteur qui tourne; il peut être assez chaud pour causer de la douleur ou des blessures.
3. Assurez-vous que la source d'alimentation est conforme aux exigences de votre appareil.
4. Ne faites pas fonctionner la pompe à sec.
5. La pompe et la tuyauterie doivent être pleines d'eau avant le démarrage.
6. Ne pompez pas d'eau qui contient du sable, de la boue, du limon ou des débris.

REMARQUE : Les pompes portant la marque « UL » et les pompes portant la marque « US » ont été testées selon la norme UL778.CSA, sont homologuées CSA et conformes à la norme C22.2 no 108 (CUS).

RENSEIGNEMENTS GÉNÉRAUX SUR LA POMPE

INSTALLATION NORMALE DE LA POMPE

Les pompes à jet pour puits de surface sont conçues pour une hauteur d'aspiration de 7,62 m ou moins. Elles conviennent aux puits forés (puits tubés) (fig. 1), aux puits creusés et aux puits tubulaires (fig. 2), ainsi qu'aux citernes et aux lacs.

VENTILATION

La ventilation et le drainage sont nécessaires afin d'éviter que la chaleur et l'humidité n'endommagent le moteur.

GEL

La pompe et toute la tuyauterie doivent être protégées du gel. Si les prévisions météorologiques annoncent du gel, vidangez la pompe ou retirez-la complètement du système.

ALIMENTATION EN EAU

La source d'eau doit contenir suffisamment d'eau afin de soutenir la capacité de la pompe et satisfaire à ses besoins en eau.

HAUTEUR D'ASPIRATION

La hauteur d'aspiration est la distance verticale entre le plus bas niveau de l'eau et l'entrée de la pompe. La pompe aspirera l'eau tant qu'elle demeurera à une distance verticale de 7,62 m ou moins de la source d'eau.

DISTANCE HORIZONTALE

La distance horizontale est la mesure à l'horizontale entre l'orifice d'aspiration de la pompe et la source d'eau. La distance peut nuire au fonctionnement de la pompe. Si la distance est supérieure à 30,48 m, communiquez avec le fabricant pour obtenir de l'aide au 1 800 742-5044.

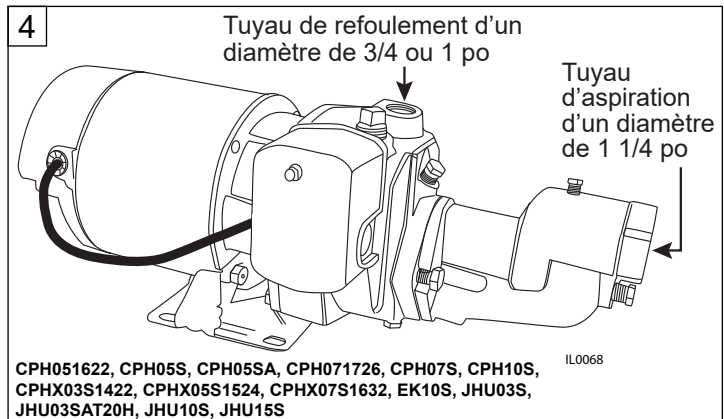
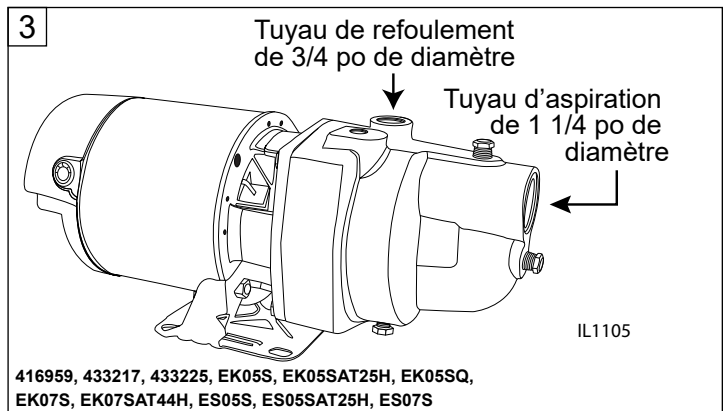
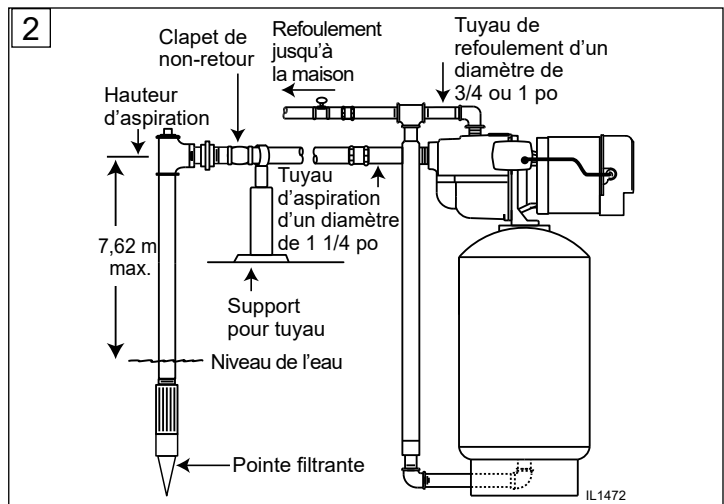
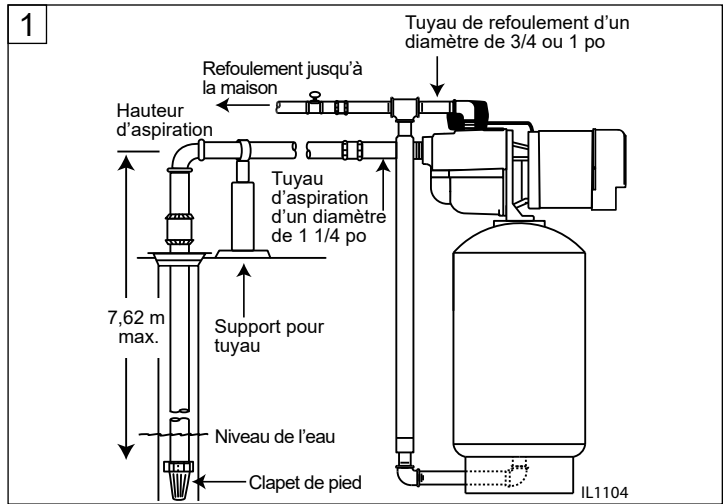
TUYAUX ET RACCORDS

Utilisez des tuyaux et des raccords en acier galvanisé ou en PVC de nomenclature 40 certifiés NSF PW. Ce matériau est conçu pour résister à la pression de l'eau et il se scellera à l'air et à l'eau sous pression. N'utilisez pas : Des raccords DWV car ils sont conçus pour les drains sans pression et ne se scelleront pas correctement.

⚠ MISE EN GARDE : Tout le système doit être hermétique à l'air et à l'eau pour fonctionner efficacement et pour maintenir l'amorçage.

CALIBRE DES FILS

Le calibre des fils est déterminé selon la distance entre la source d'alimentation et le moteur de la pompe et selon la puissance nominale du moteur. Consultez le tableau du câblage à la page 31 pour déterminer le calibre approprié.



PRÉPARATION

Avant de commencer l'installation du produit, assurez-vous d'avoir toutes les pièces. S'il y a des pièces manquantes ou endommagées, ne tentez pas d'assembler le produit. Communiquez avec notre service à la clientèle pour obtenir des pièces de rechange.

Temps d'installation approximatif : 2 heures.

Outils nécessaires

2 clés à tuyau

Pincés à dénuder

Pincés à bec effilé

Tournevis cruciforme

Coupe-fil

Clé à molette

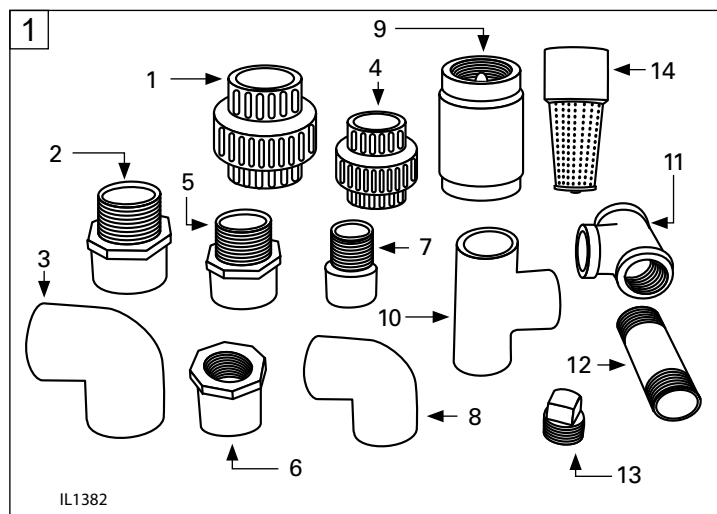
Ruban d'étanchéité

Pâte à joint

REMARQUE : Pour une installation réussie, prenez le temps d'examiner votre pompe afin de déterminer la dimension du tuyau adéquate et les raccords appropriés. Les illustrations présentes dans ces instructions vous aideront pour les installations requises et optionnelles. Des tuyaux et des raccords en PVC de nomenclature 40 ont été utilisés dans ces instructions.

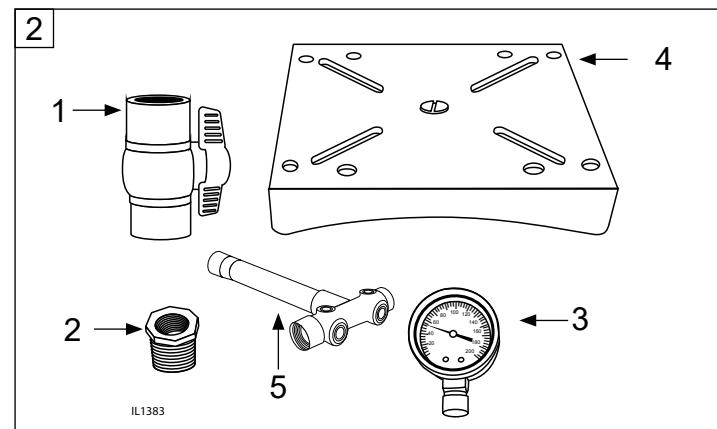
Pièces dont vous aurez besoin pour l'assemblage (non incluses) (Fig. 1)

Article	Description
1	Raccord union de 1 1/4 po
2	Adaptateur de 1 1/4 po
3	Coude de 1 1/4 po
4	Raccord union de 3/4 po
5	Adaptateur de 1 po
6	Raccords réduits de 1 po x 3/4 po
7	Adaptateur de 3/4 po
8	Coude de 1 po
9	Clapet de non-retour de 1 1/4 po
10	Raccord en T de 3/4 po en plastique
11	Raccord en T de 3/4 po en acier
12	Tige filetée en acier de 3/4 po x 3 po
13	Obturateur de 3/4 po
14	Clapet de pied
	Réducteur de tension du cordon d'alimentation



Pièces facultatives pour l'assemblage (non incluses) (Fig. 2)

Article	Description
1	Robinet à bille en plastique
2	Raccord en acier de 3/4 po x 1/4 po
3	Manomètre
4	Base de la pompe pour le réservoir
5	Té de réservoir



RACCORD DU PUIS À LA POMPE (TUYAU D'ASPIRATION)

⚠ MISE EN GARDE : Avant de fixer les pièces à l'aide de colle ou de ruban, effectuez l'assemblage à sec afin de vous assurer d'obtenir un résultat satisfaisant.

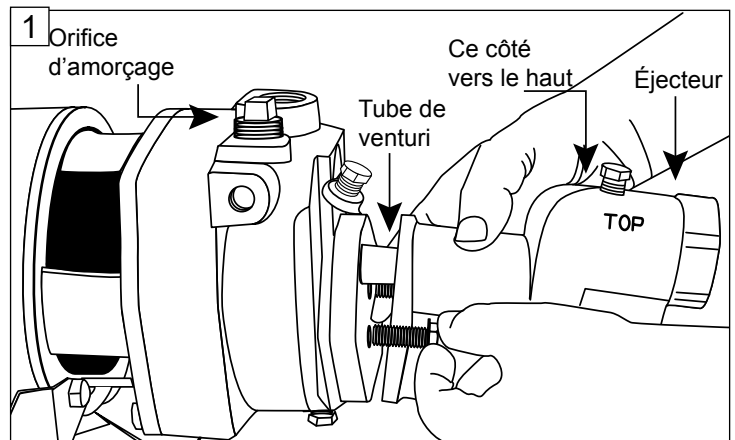
⚠ MISE EN GARDE : Suivez tous les processus de collage indiqués par le fabricant de la colle. Appliquez toujours la colle à la verticale lorsque cela est possible afin d'éviter que la colle coule à l'intérieur d'un tuyau ou d'un raccord.

⚠ MISE EN GARDE : Appliquez du ruban d'étanchéité et de la pâte d'étanchéité sur tous les filetages mâles. Serrez à l'aide d'une clé jusqu'à ce que vous obteniez un bon ajustement, puis serrez d'un quart de tour supplémentaire afin d'assurer l'étanchéité.

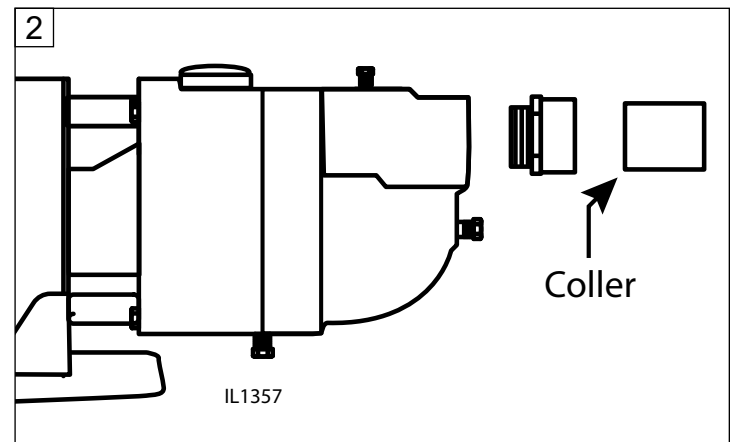
1. Modèles JHU10S, EK10S, JHU03S, JHU15S et CPH05S seulement

Fixez l'éjecteur au devant de la pompe à l'aide des deux (2) boulons et du joint d'étanchéité fournis. Le tube de venturi de l'éjecteur s'insère dans le taraudage supérieur du devant de la pompe. (Fig. 1)

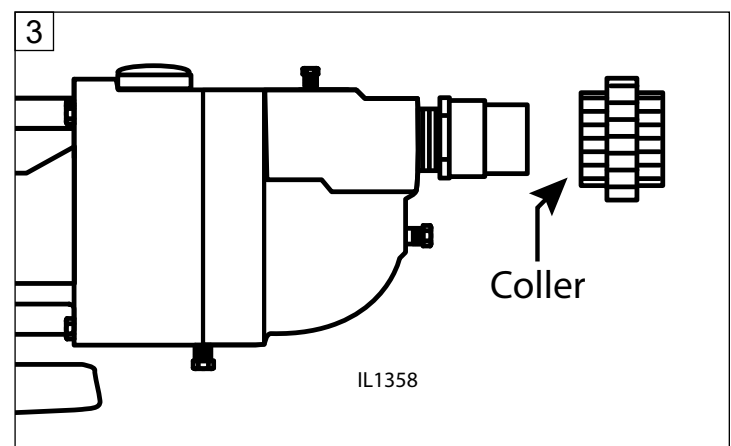
REMARQUE : Les modèles 416959, 433217, 433225, EK05S, EK05SAT25H, EK05SQ, EK07S, EK07SAT44H, ES05S, ES05SAT25H, et ES07S sont munis d'un éjecteur intégré



2. Effectuez le raccord au puits. Enroulez tous les raccords filetés de 5 couches de ruban d'étanchéité ou appliquez une pâte d'étanchéité (pâte à joint) pour assurer un raccord étanche à l'air. (Fig. 1)



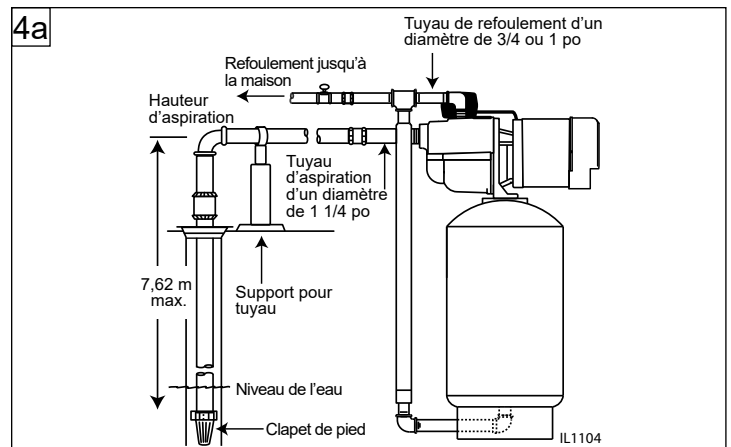
3. Un raccord union (facultatif) permettra une connexion et une déconnexion plus faciles. (Fig. 2)



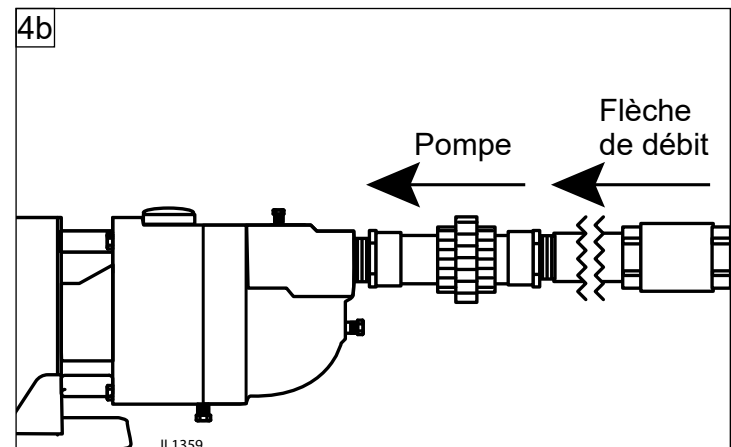
RACCORD DU PUIS À LA POMPE (TUYAU D'ASPIRATION)

4a. REMARQUE : Pour les puits forés (tubés), un clapet de pied doit être posé dans le puits, à l'extrémité du tuyau, afin de maintenir l'amorçage. (**Fig 4a**)

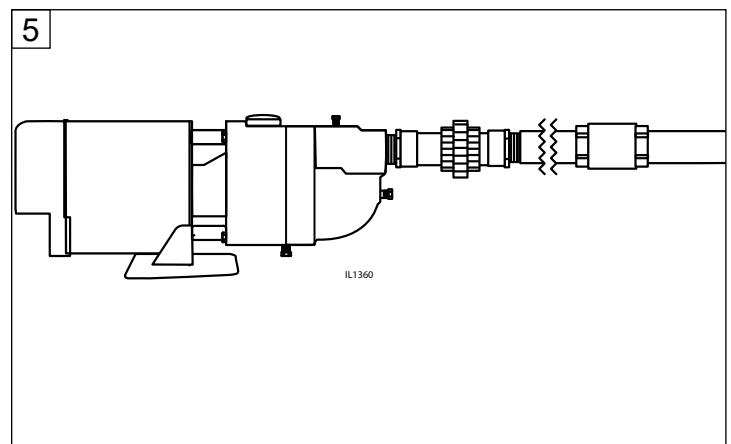
Remarque : Maintenez la longueur du tuyau entre le réservoir sous pression et la pompe/ le pressostat à 18 pouces dans la mesure du possible pour éviter les courts-cycles de la pompe et du pressostat qui claquent.



4b. Pour les puits creusés, un clapet de non-retour doit être posé au haut du puits afin de maintenir l'amorçage. La flèche de débit doit pointer vers la pompe. (**Fig. 4b**)

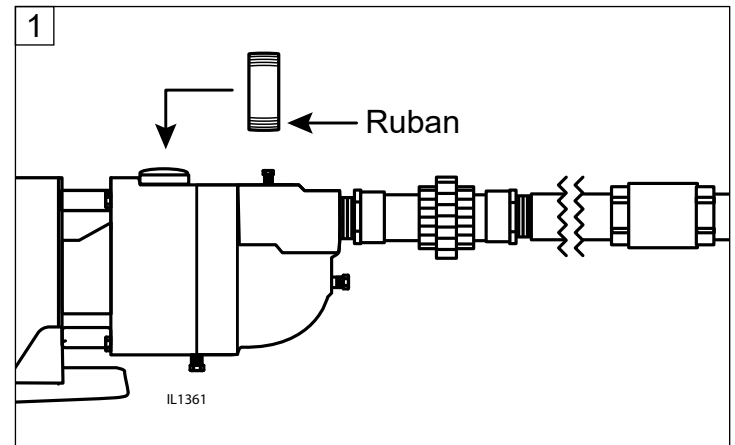


5. Terminez le raccord au puits à l'aide d'un autre tuyau et de raccords supplémentaires au besoin. (**Fig. 5**)

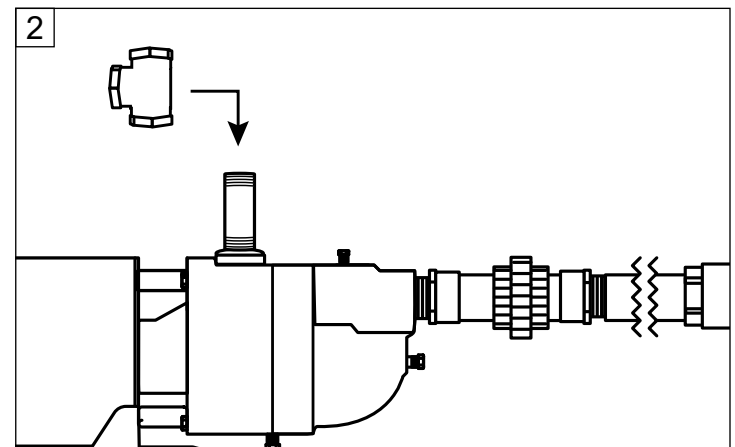


RACCORD DE LA POMPE AU RÉSERVOIR SOUS PRESSION (TUYAU DE REFOULEMENT)

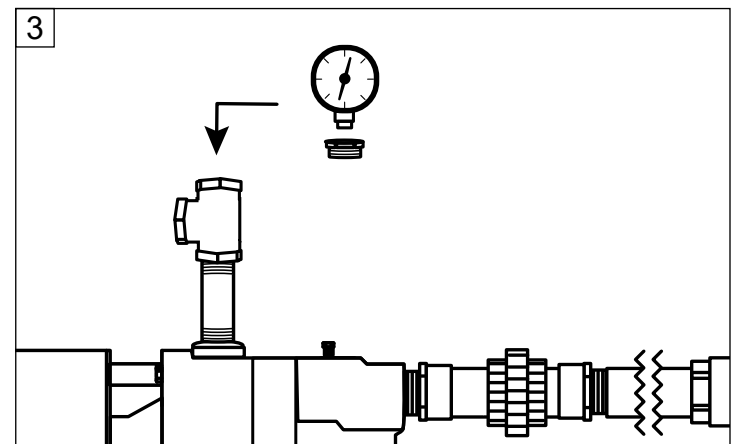
1. Commencez le raccord au réservoir sous pression. Enroulez le filetage d'une tige filetée galvanisée de 3/4 ou 1 po x 3 po de 5 couches de ruban d'étanchéité, puis appliquez de la pâte d'étanchéité (pâte à joints) et posez la tige filetée au haut de la pompe. (**Fig. 1**)



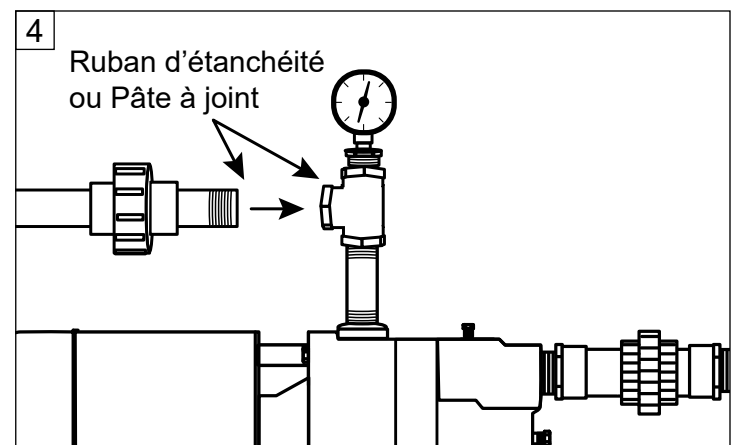
2. Posez un raccord en T galvanisé de 1 po x 1 po x 1 po. (**Fig. 2**)



3. Posez une bague galvanisée à filetage mâle de 1 po et à filetage femelle de 1/4 po ainsi qu'un manomètre (facultatif), ou un bouchon de tuyau. Ne serrez pas tout de suite, car vous amorcerez la pompe à cet endroit plus tard. (**Fig. 3**)



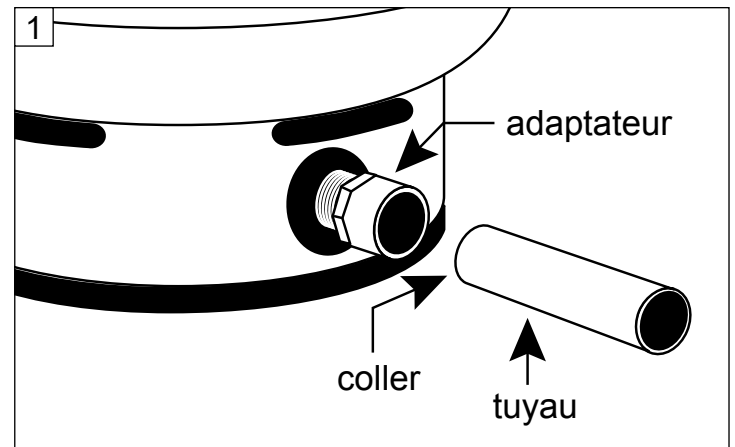
4. Raccordez les raccords et le tuyau au réservoir sous pression. Un raccord union de 1 po (facultatif) permettra une connexion et une déconnexion plus faciles. (**Fig. 4**)



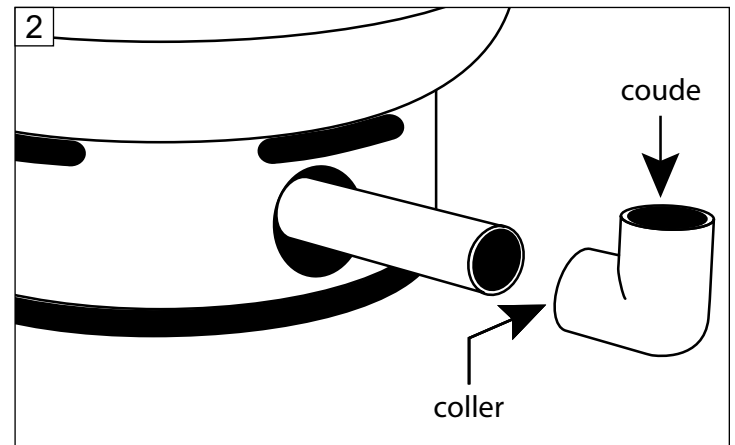
REMARQUE: Une transition vers un tuyau de 3/4 po peut être nécessaire pour se raccorder à la plomberie existante.

RACCORD DU RÉSERVOIR À LA MAISON

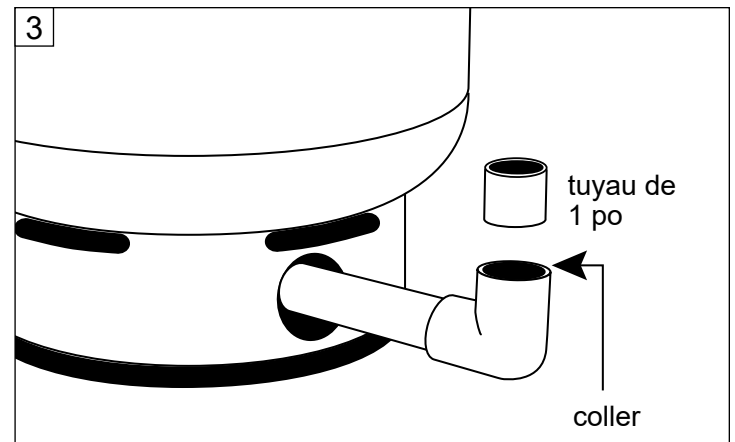
1. On trouve un coude d'entrée de 1 po au bas de la plupart des réservoirs sous pression. Raccordez ce coude à l'aide d'un adaptateur coulissant (colle) de 1 po à filetage mâle de 1 po et d'un petit morceau de tuyau. (**Fig 1**)



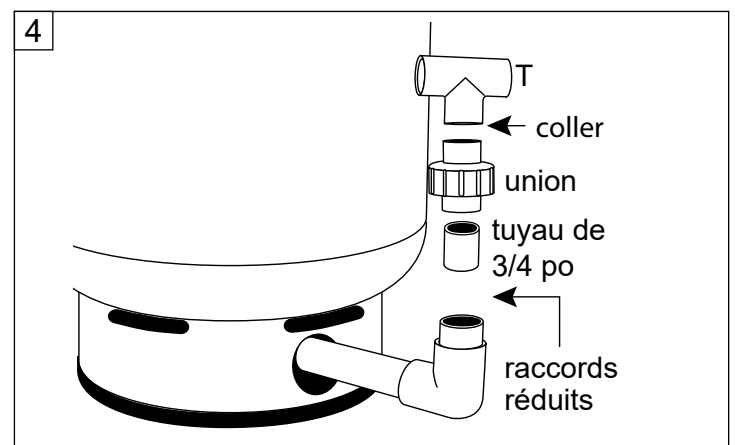
2. Posez un coude de 1 po. (**Fig. 2**)



3. Fixez un tuyau de 1 po au coude et un raccords réduits de 1 po x 3/4 po sur le tuyau. (**Fig. 3**)

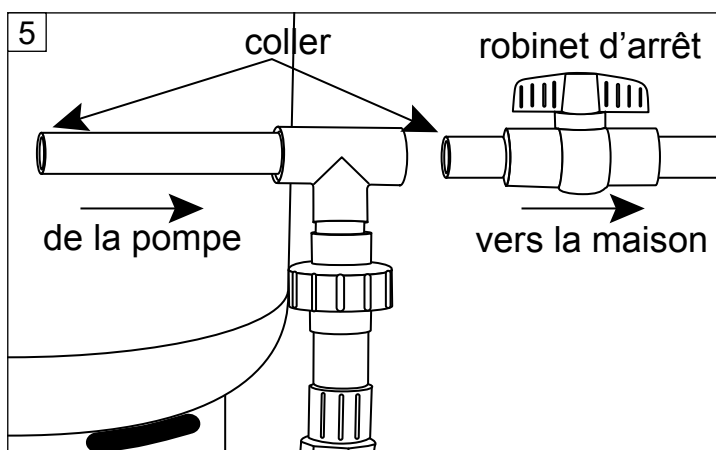


4. Fixer un tuyau de 3/4 po à la douille de réduction. Installez un raccord union optionnel de 3/4 po et continuez avec le tuyau et le té de 3/4 po x 3/4 po x 3/4 po. (**Fig. 4**)

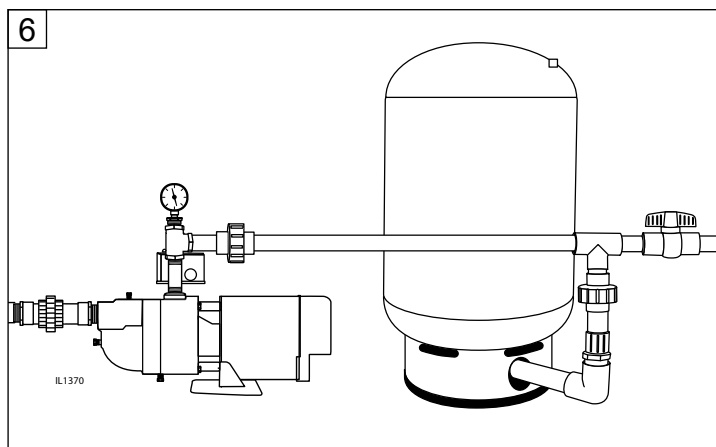


RACCORD DU RÉSERVOIR À LA MAISON

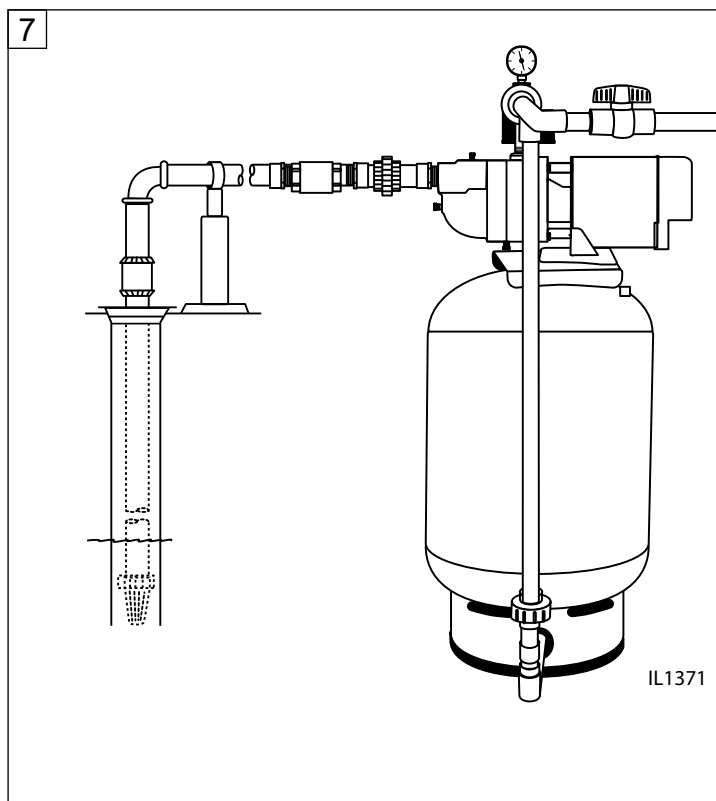
5. Effectuez le raccord à la plomberie de votre demeure. Installez le tuyau et le robinet d'arrêt (facultatif) dans le raccord en T. (Fig 5)



6. L'installation terminée, avec la tuyauterie et le réservoir, est illustrée ci-contre. (Fig. 6)



7. Le système à montage sur réservoir facultatif est illustré. Les connexions sont pratiquement les mêmes que celles indiquées dans les étapes précédentes. (Fig. 7)



CONNEXIONS ÉLECTRIQUES DE LA POMPE

⚠ MISE EN GARDE : Tout le câblage doit être effectué par un électricien qualifié conformément au Code national de l'électricité et aux codes régionaux applicables.

⚠ MISE EN GARDE : Raccordez la pompe à un circuit électrique distinct doté d'un disjoncteur dédié. Consultez le tableau des dimensions du câblage pour connaître le calibre de fusible approprié.

⚠ AVERTISSEMENT : Des fils trop petits peuvent causer une défaillance du moteur et même un incendie. Utilisez des fils du calibre indiqué dans le tableau des dimensions du câblage.

⚠ AVERTISSEMENT : Remplacez immédiatement les fils endommagés ou usés.

⚠ AVERTISSEMENT : Ne pliez pas le cordon d'alimentation et ne le laissez jamais entrer en contact avec de l'huile, de la graisse, des surfaces chaudes ni des produits chimiques.

⚠ MISE EN GARDE : Protégez le cordon d'alimentation des objets tranchants.

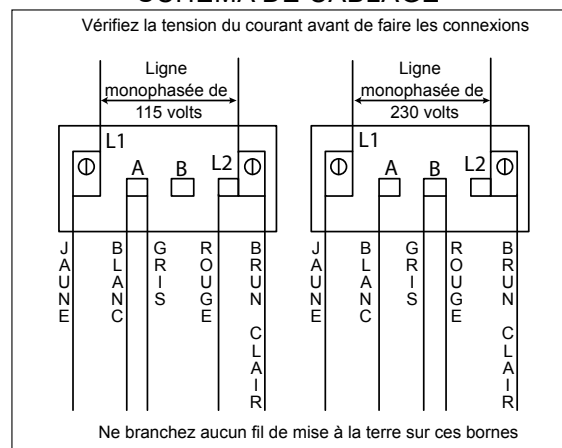
⚠ AVERTISSEMENT : La pompe doit être correctement mise à la terre à l'aide d'un câble approprié.

⚠ AVERTISSEMENT : Débranchez toujours la pompe de la source d'alimentation avant de manipuler le moteur.

Dimension des fils										
Distance entre le moteur et le compteur	Calibre recommandé pour les fils de cuivre et les fusibles									
	Moteurs monophasés									
	1/3 HP		1/2 HP		3/4 HP		1 HP		1 1/2 HP	
	115 V	230 V	115 V	230 V	115 V	230 V	115 V	230 V	115 V	230 V
0 à 50 pi	14	14	14	14	14	14	12	14	12	14
50 à 100 pi	14	14	12	14	10	14	10	14	8	14
100 à 150 pi	12	14	10	14	8	14	8	14	6	14
150 à 200 pi	10	14	8	14	8	14	6	12	6	12
200 à 300 pi	8	14	6	12	6	12	4	10	4	10
Calibre des fusibles (Ampères)	15	15	15	15	15	15	20	15	20	15

(*) Peu économique à 115 V; optez pour une tension de 230 V

SCHÉMA DE CÂBLAGE



Câblage du pressostat

1. **MISE EN GARDE :** Assurez-vous que la source d'alimentation est conforme aux exigences de la pompe. Cette pompe est munie d'un moteur à tension double et peut être raccordée à un circuit de 115 V ou 230 V. Consultez la plaque signalétique du moteur pour connaître la tension pré-réglée en usine. (Fig. 1)

REMARQUE : Pour changer la tension de la pompe, consultez le schéma de câblage de la présente page ou les instructions détaillées de la page 34.

2. Vissez le pressostat dans l'ouverture de 1/4 po située sur le côté du robinet de réglage du débit et retirez le couvercle du pressostat. (Fig. 2)

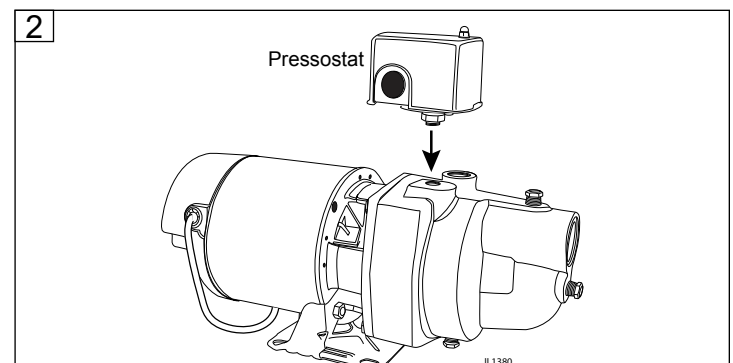
1 Motor: **98L105**

HP:	1/2	PH	1	Hz	60
Volts	115/230	S.F.	1.2	Amps	6.4/3.2
S.F. Amps:	8.6/4.3	RPM	3450	Type	C
Duty:	Cont.	Temp	65C	KVA Code	G
Frame	56L	Ins Class	B		

Factory prewired for 115V Thermally protected automatic
 Check voltage of power source Use copper conductors only

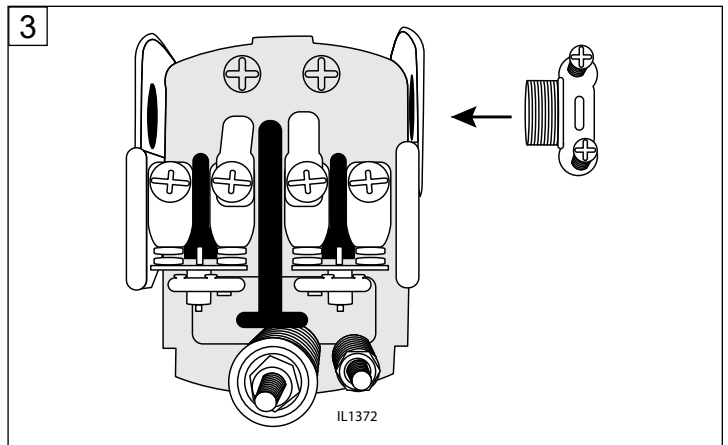
⚠ ELECTRICAL HAZARD ⚡

Improper installation may result in fire, explosion, electrical short or injury. Replace all covers before operating. Ground motor in accordance with local and national electrical codes. Disconnect power source before touching internal parts. Motors equipped with automatic protection may restart without warning. See instruction manual for proper installation procedure. Se reporter au manuel d'instructions pour suivre la procédure adéquate d'installation. Consulte el instructive para conocer el procedimiento de instalación correcto.

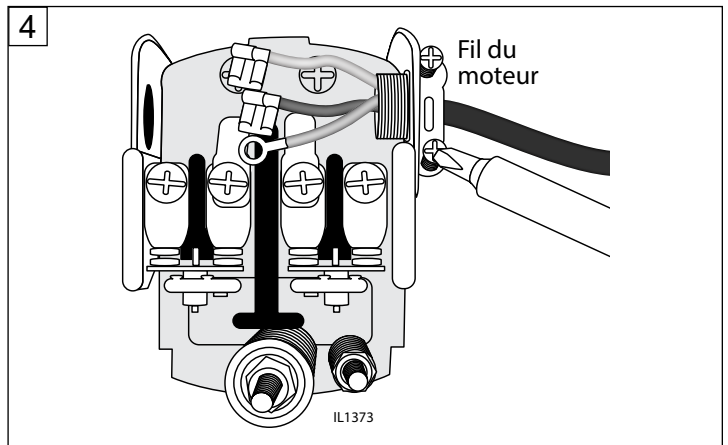


CONNEXIONS ÉLECTRIQUES DE LA POMPE

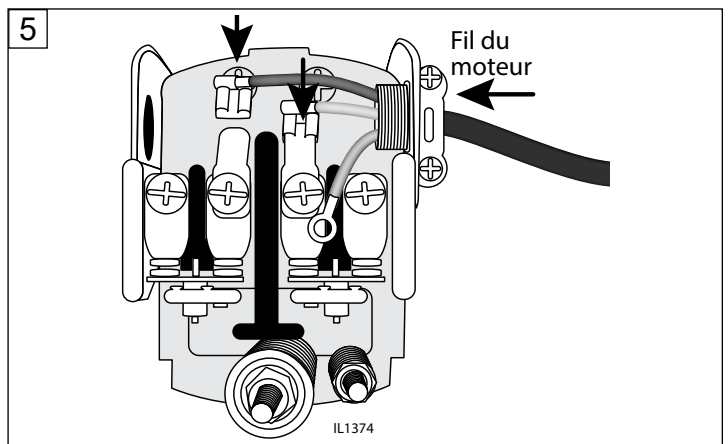
3. Insérez un réducteur de tension pour fil électrique dans l'ouverture latérale du pressostat la plus près du moteur. (Fig. 3)



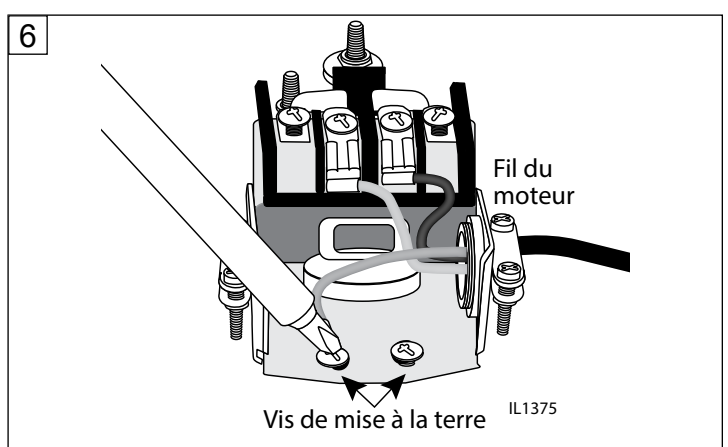
4. Acheminez le cordon d'alimentation du moteur de la pompe à travers le réducteur de tension et dans l'orifice du pressostat, puis serrez les deux vis du réducteur de tension. Veillez à ne pas écraser le fil. (Fig. 4)



5. Raccordez les deux fils du cordon d'alimentation du moteur aux deux bornes intérieures du pressostat. (Fig. 5)

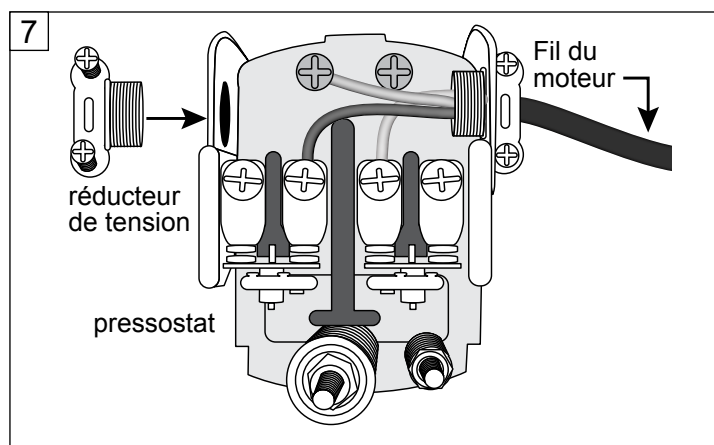


6. Raccordez le fil de mise à la terre vert du cordon d'alimentation du moteur à l'une des vis de mise à la terre vertes situées au bas du pressostat. (Fig. 6)

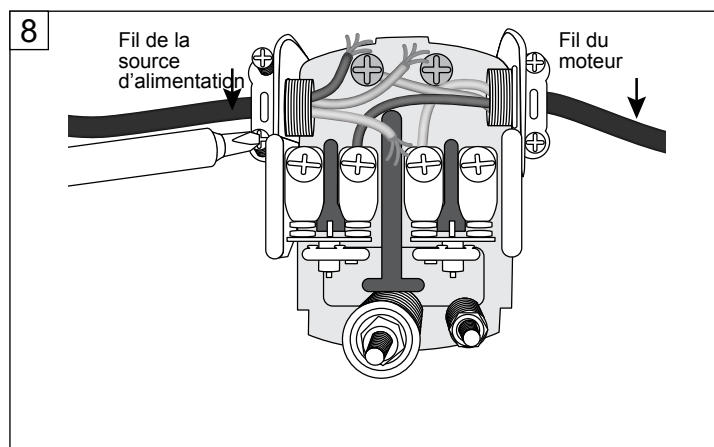


CONNEXIONS ÉLECTRIQUES DE LA POMPE

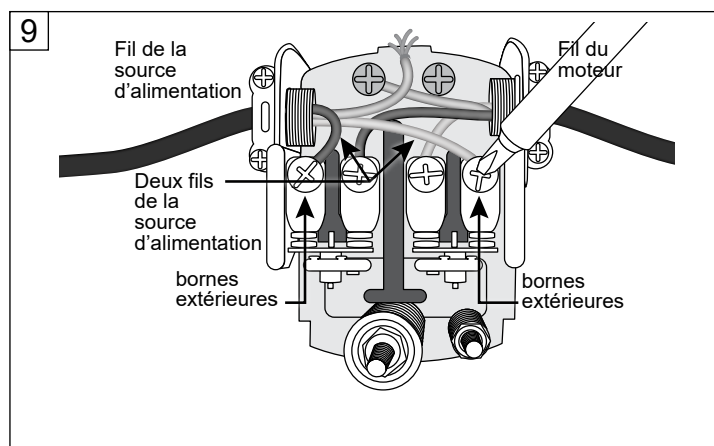
7. Insérez un réducteur de tension pour fil électrique dans l'ouverture du pressostat située du côté opposé.
(Fig. 7)



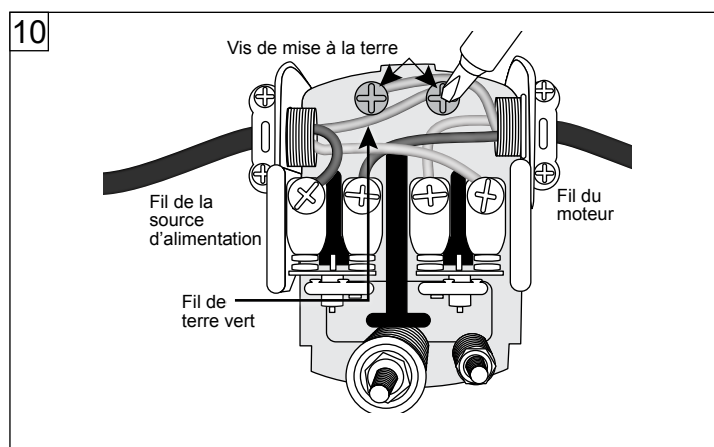
8. Acheminez le fil de la source d'alimentation à travers le réducteur de tension, puis serrez les deux vis du réducteur de tension. Veillez à ne pas écraser le fil.
(Fig. 8)



9. Raccordez les deux fils de la source d'alimentation aux deux bornes extérieures du pressostat. (Fig. 9)



10. Raccordez le fil de mise à la terre vert de la source d'alimentation à la vis de mise à la terre verte restante du pressostat et remettez en place le couvercle du pressostat. (Fig. 10)



CONNEXIONS ÉLECTRIQUES DE LA POMPE

Pour passer de 115 V à 230 V

11. Le moteur à double tension de cette pompe peut être alimenté par un circuit de 115 V ou de 230 V. En général, une tension de 230 V est plus économique et nécessite un fil de plus petite taille. La plupart des modèles sont pré-réglés à 115 V en usine.

REMARQUE : Consultez l'étiquette de la pompe pour vérifier la tension pré-réglée en usine. (Fig. 11)

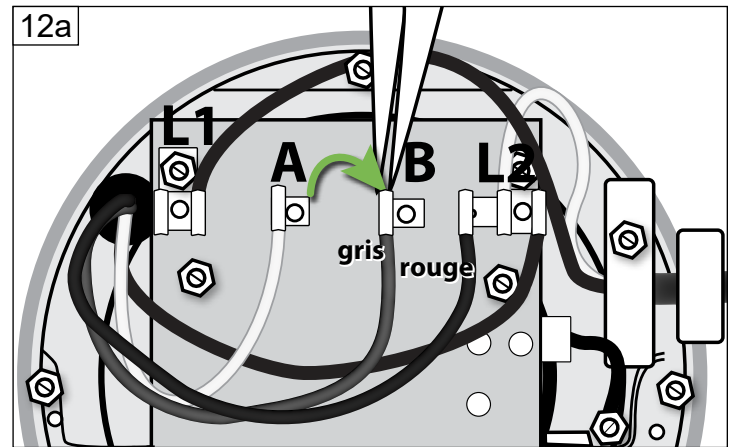
11	Motor:	98L105				
	HP:	1/2	PH	1	Hz	60
	Volts	115/230	S.F.	1.2	Amps	6.4/3.2
	S.F. Amps:	8.6/4.3	RPM	3450	Type	C
	Duty:	Cont.	Temp	65C	KVA Code	G
	Frame	56L	Ins Class	B		
	Factory prewired for 115V			Thermally protected automatic		
	Check voltage of power source			Use copper conductors only		

ELECTRICAL HAZARD

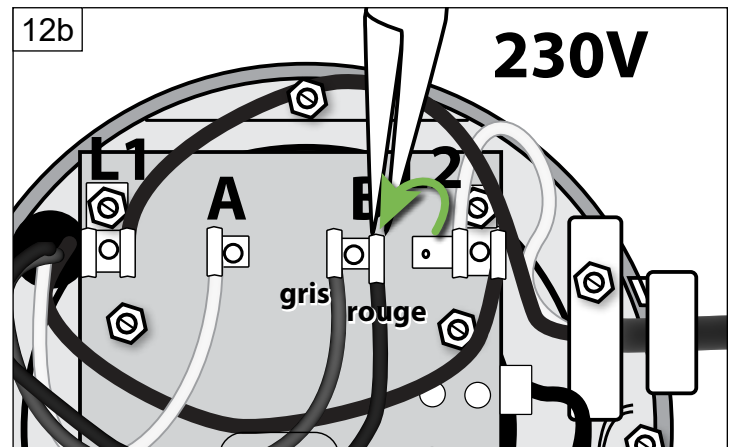
Improper installation may result in fire, explosion, electrical short or injury. Replace all covers before operating. Ground motor in accordance with local and national electrical codes. Disconnect power source before touching internal parts. Motors equipped with automatic protection may restart without warning. See instruction manual for proper installation procedure. Se reporter au manuel d'instructions pour suivre la procédure adéquate d'installation. Consulte el instructive para conocer el procedimiento de instalación correcto.

12. Pour passer à une tension de 230 V, apportez les modifications suivantes au câblage de la plaque à bornes :

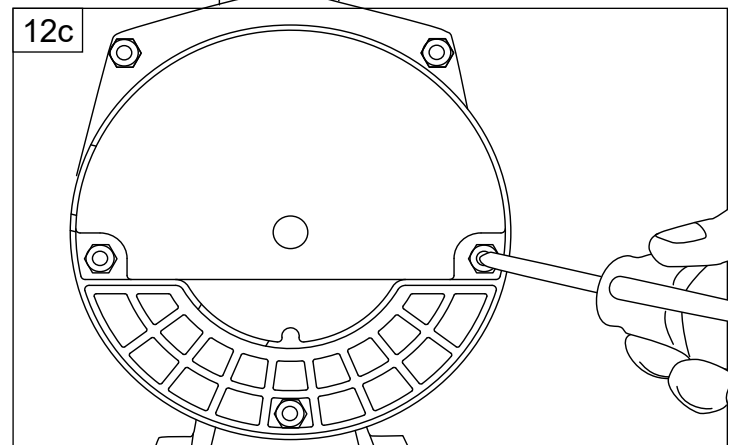
- À l'aide d'une paire de pinces à bec effilé, retirez le fil gris muni d'un connecteur drapeau femelle de la borne « A ». Branchez-le à la borne « B » située à droite. (Fig. 12a)



- Retirez le fil rouge muni d'un connecteur drapeau femelle de la borne « L2 ». Branchez-le à la borne « B » située à gauche. (Fig. 12b)



- Remettez le couvercle arrière du moteur en place. (Fig.12c)



REMARQUE : Pour passer de 230 V à 115 V, suivez simplement les instructions ci-dessus dans l'ordre inverse.

AMORÇAGE ET DÉMARRAGE DE LA POMPE

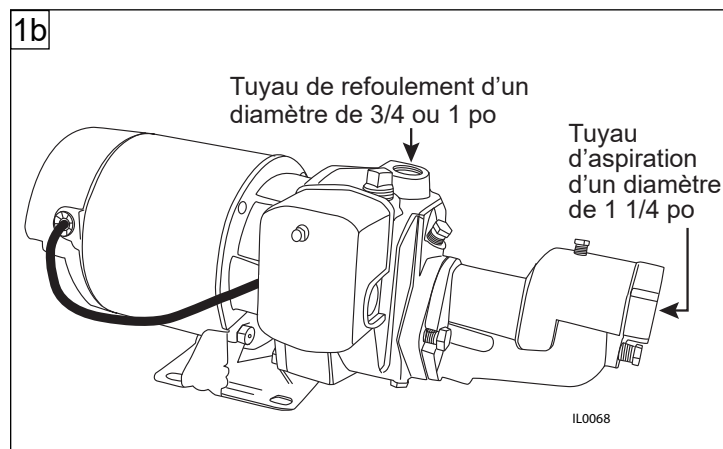
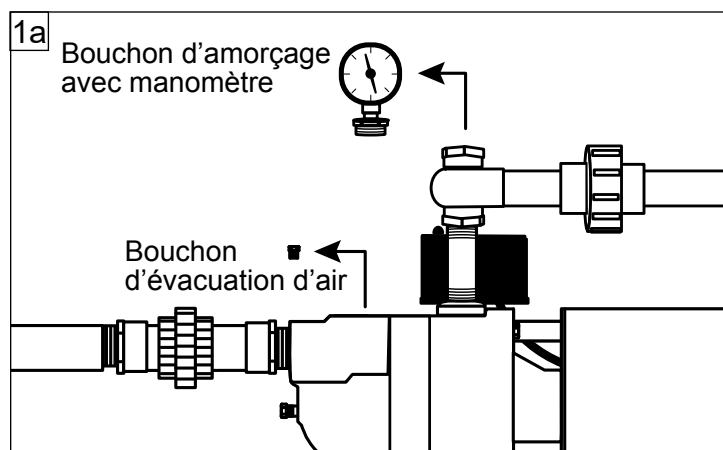
AMORÇAGE

⚠ MISE EN GARDE : Avant d'utiliser toute pompe, amorcez-la (remplissez la cavité d'eau). Plusieurs litres d'eau peuvent être nécessaires, puisque la conduite d'aspiration doit également être remplie.

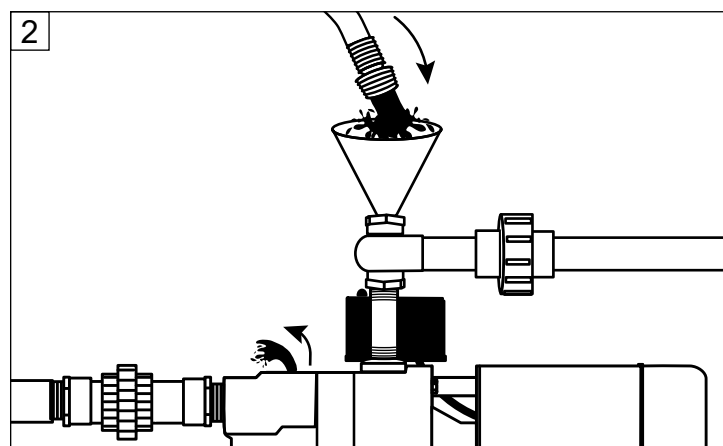
1. Retirez le bouchon d'amorçage, le manomètre et le bouchon d'évacuation d'air.

(Fig. 1a avec éjecteur intégré)

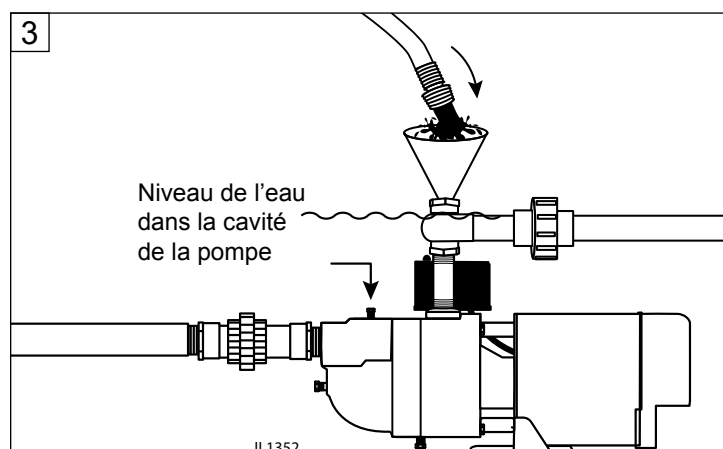
(Fig. 1b avec éjecteur à boulonner)



2. Remplissez lentement la cavité de la pompe jusqu'à ce que l'eau commence à ressortir par le trou d'évacuation d'air situé au haut de la pompe. (Fig. 2)

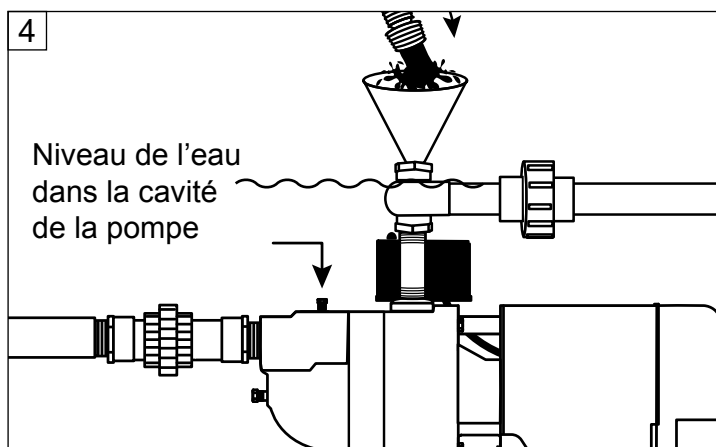


3. Remettez en place le bouchon d'évacuation d'air et continuez à ajouter de l'eau dans la cavité de la pompe jusqu'à ce que l'eau atteigne le haut du bouchon d'amorçage. (Fig. 3)

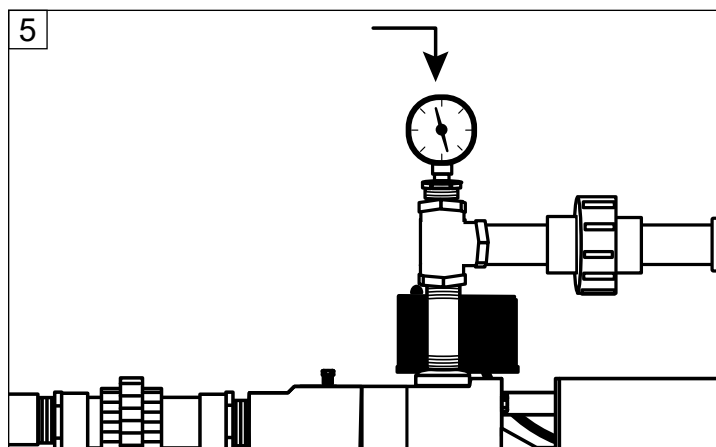


AMORÇAGE ET DÉMARRAGE DE LA POMPE

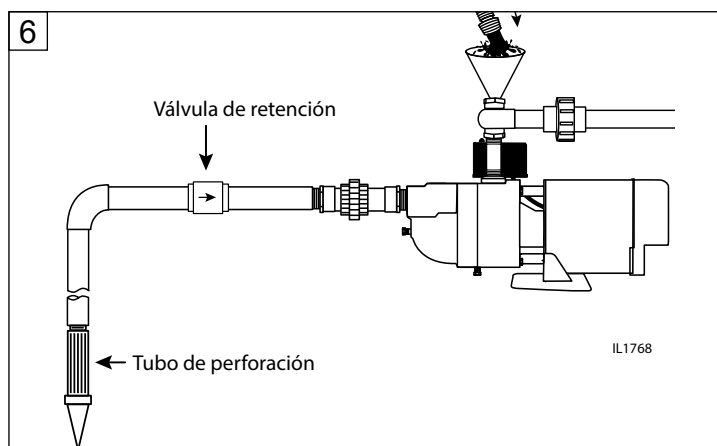
4. Assurez-vous que l'eau dans la cavité de la pompe demeure à un niveau constant. Si le niveau de l'eau diminue, il est possible que le clapet de pied fuie. Vérifiez le clapet ou le tuyau d'aspiration. **(Fig. 4)**



5. Vissez le bouchon d'amorçage, puis ouvrez le robinet à bille facultatif (s'il y a lieu) en tournant la poignée de façon à l'aligner avec le tuyau. **(Fig. 5)**



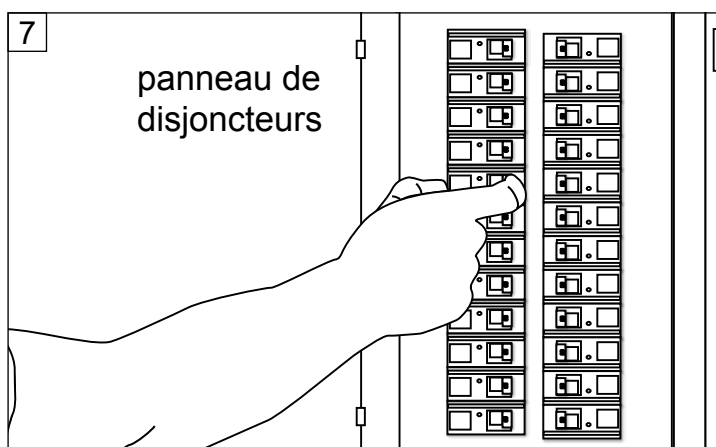
6. REMARQUE RELATIVE À L'AMORÇAGE :
L'amorçage peut nécessiter plusieurs essais en fonction de la longueur du tuyau d'aspiration et de l'emplacement du clapet de non-retour si une pointe filtrante est utilisée.



6. Réglez le disjoncteur en position sous tension pour mettre la pompe en marche. **(Fig. 7)**

⚠ IMPORTANT : Si la pompe ne fonctionne pas et émet un bourdonnement ou si elle s'arrête à répétition, fermez-la complètement.

Vérifiez la tension. Assurez-vous que la tension entrante correspond à la tension du câblage de la pompe. Consultez le guide de câblage inclus dans les instructions.



AMORÇAGE ET DÉMARRAGE DE LA POMPE

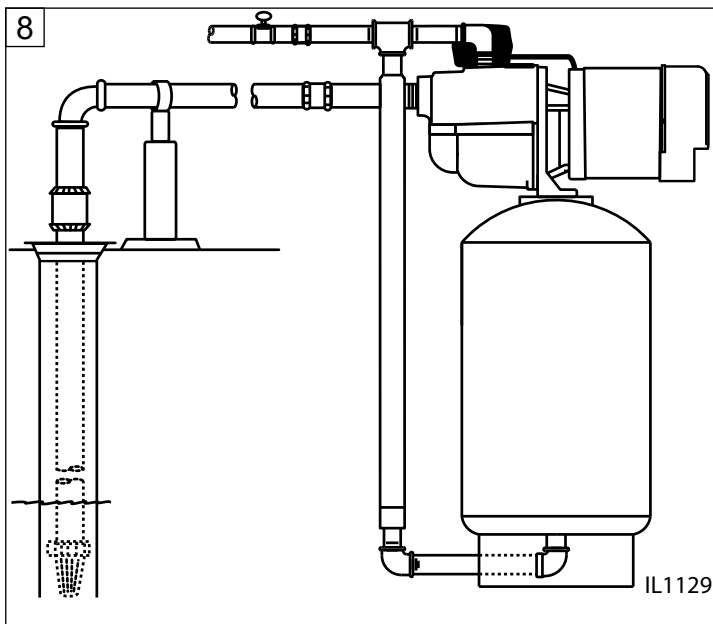
⚠ IMPORTANT : Si la pompe ne s'amorce pas dans un délai de cinq minutes :

Coupez l'alimentation depuis le panneau de disjoncteurs et vérifiez tous les raccords pour vous assurer qu'il n'y a pas de fuite. Tous les raccords doivent être étanches à l'eau et à l'air pour que la pompe fonctionne.

8. Toute la tuyauterie, du puits jusqu'à la pompe, doit être légèrement inclinée vers le haut sans être affaissée. Le tuyau d'aspiration doit être soutenu entre la source d'eau et la pompe. Des raccords unions sur la conduite d'aspiration faciliteront l'entretien s'ils sont placés près de la pompe et du puits. Assurez-vous de laisser suffisamment d'espace pour pouvoir manipuler facilement les clés. (Fig. 8)

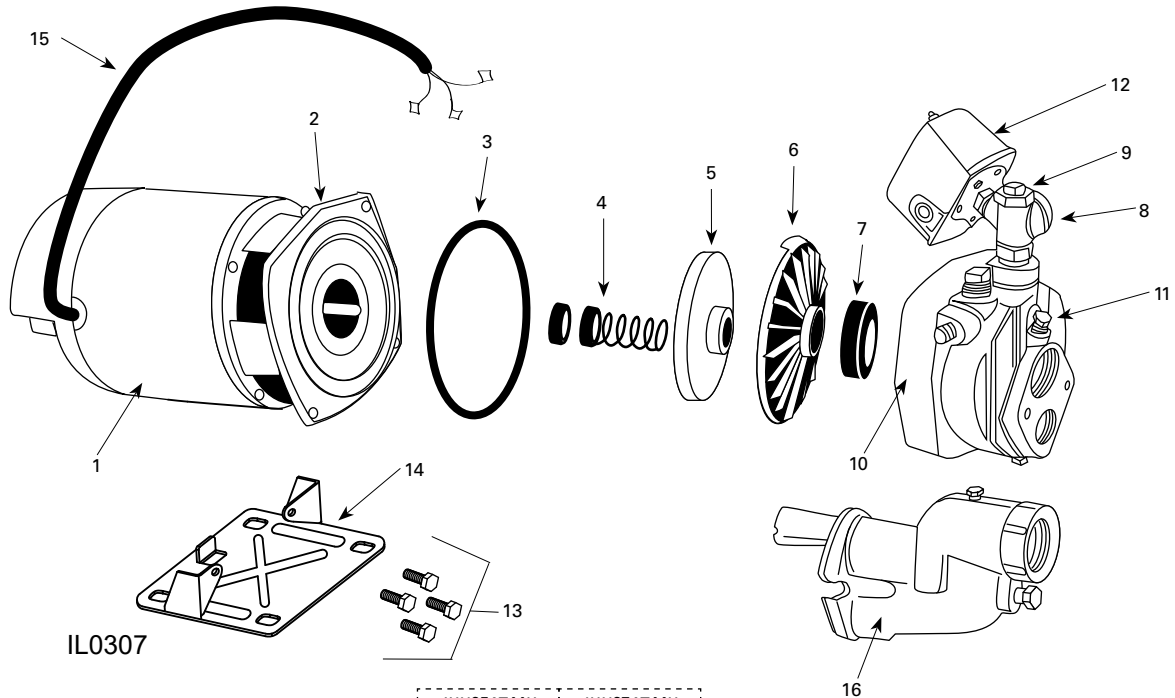
REMARQUE : Vérifiez s'il y a des fuites ou si l'eau évacuée a une couleur laiteuse (ce qui indique une fuite d'air). Réamorcez la pompe au besoin, en suivant les étapes 1 à 6 ci-dessus. Réenclenchez le disjoncteur depuis le panneau de disjoncteurs. Tous les raccords doivent être étanches à l'eau et à l'air pour que la pompe fonctionne.

Des questions? Composez le 1 800 742-5044, entre 7 h 30 et 17 h (HNE), du lundi au vendredi.



PIÈCES DE RÉPARATION POUR POMPES À JET POUR Puits DE SURFACE ET PROFONDS

(Pour les prix, voir la liste des prix des pièces de rechange)



			JHU05AT44H 416967	JHU07AT44H 429619	436224		
CHEVAL-VAPEUR			1/3	1/2	3/4	1	1-1/2
"SW" MODÈLE DE Puits DE SURFACE			JH03S JHU03S	JH05S JHU05S	JH07S JHU07S	JH10S JHU10S	JHU15S
"CONV" MODÈLE DE CONVERTIBLES			JH03 JHU03	JH05 JHU05	JH07 JHU07	JH10 JHU10	
ARTICLE	DESCRIPTION	QTÉ.	PIÈCE NO.				
1	Moteur, Nema J	1	98J103	98J105	98J107	98J110	98J115
2	Bague de montage	1	134162	134162	134163	134163	134163
3	Bague à coupe carrée	1	132583	132583	132429	132429	132429
4	Joint rotatif avec ressort	1	131100	131100	131100	131100	131100
5	Impulseur	1	139348	139349	134137	134138	134138
6	Diffuseur	1	132424	132424	132425	132425	132425
7	Caoutchouc, Diffuseur	1	132428	132428	132428	132428	132428
8 & 9	Ensemble de réglage †	1	134349	134349	134349	134349	N/A
8	Robinet de réglage	1	135019	135019	135019	135019	135019
9	Vis de réglage du débit	1	124330	124330	124330	124330	124330
10	Corps de pompe	1	134121	134121	134121	134123	134123
11	Bouchon 1/4 po NPT	3	*	*	*	*	*
11	Bouchon 1/2 po NPT		N/A	N/A	N/A	N/A	N/A
12	Pressostat	1	020345	020345	020345	020345	020345
13	Vis d'assemblage de 3/8 po x 3/4 po	8	*	*	*	*	*
14	Base	1	128034	128034	128034	128034	128034
15	L'ensemble de fils	1	136135A	136135A	136135A	136135A	136136A
16	Ensemble d'éjecteurs modèles de "SW"	1	SW03E-1626	SW05E-1630	SW07E-1432	SW10E-1334	SW15E-1836
‡	Joints d'étanchéité de l'éjecteur avec boulons	1	132404	132404	132404	132404	132404
‡	Buse	1	-	-	-	-	-
‡	Venturi	1	-	-	-	-	-

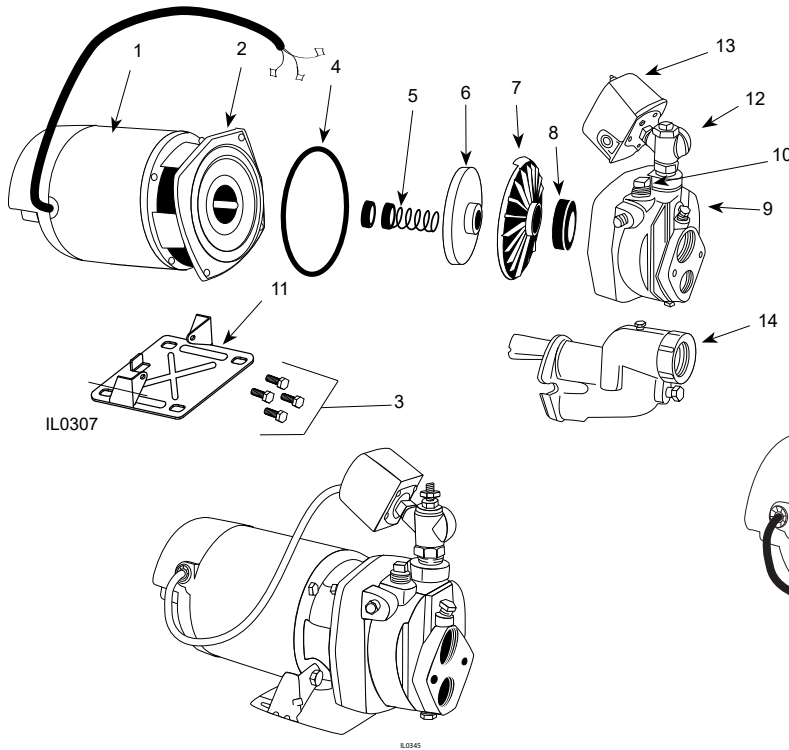
(†) Ensemble de réglage requis uniquement sur les modèles convertibles

(*) Article de quincaillerie standard

(‡) Non montré

(††) Impulseur avec bague d'étanchéité 138138

**PIÈCES DE RÉPARATION DE POMPE À JET CONVERTIBLE
ET À Puits PEU PROFOND DE LA SÉRIE "CPH"**
(Pour les prix, voir la liste des prix des pièces de rechange)



KIT DE RÉPARATION POUR POMPES À JET	
MODÈLE NO.	KIT DE RÉPARATION POUR:
148143	1/3HP, CPJ & CPH Pompes à jet
148141	1/2HP, CPJ & CPH Pompes à jet
148140	3/4HP, CPJ & CPH Pompes à jet
023705	1HP, CPJ & CPH Pompes à jet et VPH10

LA TROUSSE CONTIENT
Impulseur, Diffuseur, Joint rotatif, Bague à coupe carrée, Caoutchouc de diffuseur

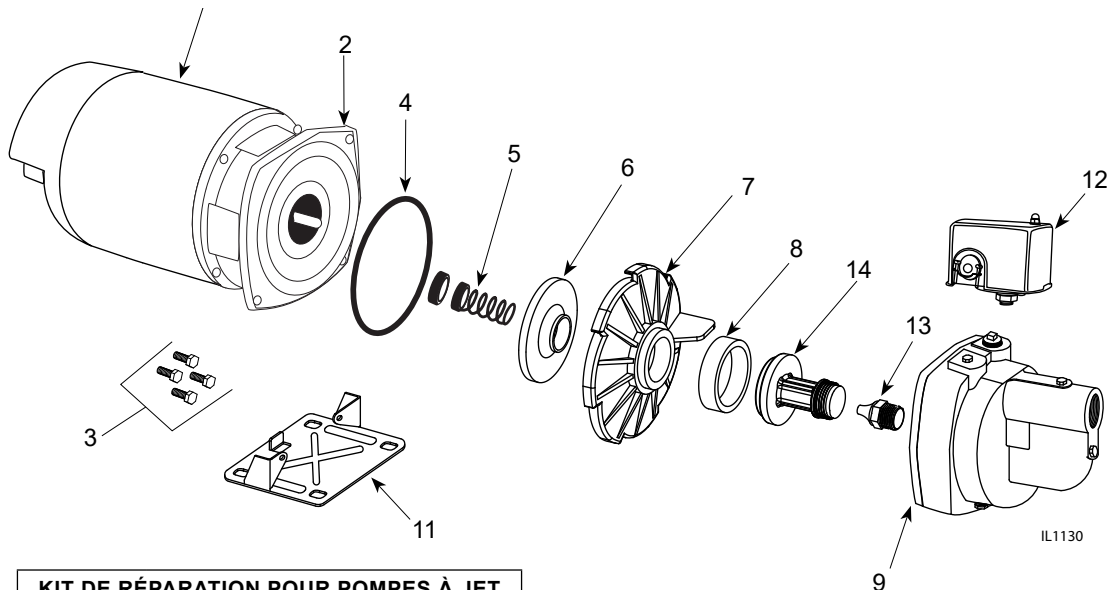
“CPH” Convertible

“CPHS” Puits peu profond

ARTICLE	CHEVAL-VAPEUR MODÈLE NO.: “CPH” Convertible “CPHS” Puits de surface PIÈCE NO.	DESCRIPTION	CPHX03	CPHX05	CPH071726 CPHX07	1
			1/3	1/2	3/4	1
			CPH03	CPH05	CPH07	CPH10
			CPH03S	CPH05S	CPH07S	CPH10S
			QTÉ.			
1	Moteur, Nema J (Thd) Capot de moteur avec vis Vis, couvercle † Fil conducteur du moteur	021301R 021302 136135A	98J103 1 2 1	98J105 1 2 1	98J107 1 2 1	98J110 1 2 1
2	Bague de montage	*	135314	135314	136137	136137
3	Vis d'assemblage à tête hexagonale de 3/8 po x 3/4 po	*	4	4	4	4
4	Anneau, coupe carrée		132583	132583	132429	132429
5	Joint rotatif avec ressort	131100	1	1	1	1
6	Impulseur		139348††	139349††	134137	134138
7	Diffuseur		132424	132424	132425□	132425□
8	Caoutchouc, Diffuseur	132428	1	1	1	1
9	Corps de pompe		134311	134311	134312	134312
10	Bouchon, amorçage	*	1/2" NPT	1/2" NPT	1/2" NPT	1/2" NPT
11	Base	128034	1	1	1	1
12	Ensemble de commande “CPH” Convertible Robinet de réglage Vis de réglage du débit	134349 135019 124330	1 1 1	1 1 1	1 1 1	1 1 1
13	Pressostat “CPH” Convertibles			132527	132527	132527
13	Pressostat “CPHS” Puits de surface	132527	1	1	1	1
14	Ensemble d'éjecteurs pour puits peu profond-“CPHS” † Ensemble de joints d'éjecteur avec boulons † Joint d'étanchéité d'éjecteur	132404 130969	SW03E-1626 1 1	SW05E-1630 1 1	SW07E-1432 1 1	SW10E-1334 1 1

(*) Article de quincaillerie standard
 (†) Non montré
 (††) Impulseur avec bague d'étanchéité 138138
 (□) Diffuseur avec composant 134240

POMPE À JET POUR Puits PEU PROFOND AVEC PIÈCES DE RÉPARATION DE JET INTÉGRAL DE LA SÉRIE "EK" (Pour les prix, voir la liste des prix des pièces de rechange)



KIT DE RÉPARATION POUR POMPES À JET	
MODÈLE NO.	LA TROUSSE CONTIENT
KF04 ^A	Joint rotatif, Quadraseal (2), Caoutchouc de diffuseur
KF05 ^B	Impulseur, Joint rotatif, Quadraseal, Caoutchouc de diffuseur
KF07 ^C	
KF10 ^D	

- A. S'applique à toute pompes à jet horizontales en fonte
 B. S'applique aux 1/2HP, Pompes à jet série "E" *
 C. S'applique aux 3/4HP, Pompes à jet série "E" *
 D. S'applique aux 1HP, Pompes à jet série "E" *
 *Commander le diffuseur séparément

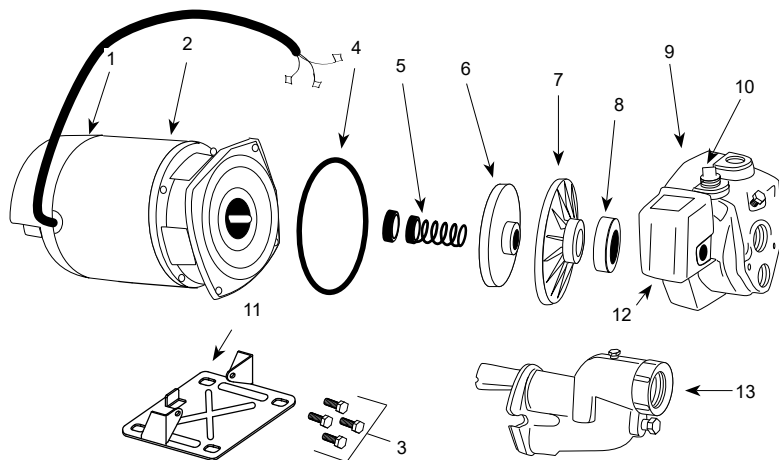
EK05SAT25H		
EK05SQ		
ES05S		
416959		
433217	EK05SAT44H	ES07S 433215

ARTICLE	CHEVAL-VAPEUR		1/2	3/4	3/4
	MODÈLE NO.:	PIÈCE NO.	EK05S ES05S REV C	EK07S REV C	ES07S REV C
	DESCRIPTION		QTÉ.		
1	Moteur, Nema J (Thd) Capot de moteur avec vis Vis, couvercle † Fil conducteur du moteur	021301R 021302 136135A	98J105 1 2 1	98J107 1 2 1	98J107 1 2 1
2	Bague de montage	135314	1	1	1
3	Vis d'assemblage à tête hexagonale de 3/8 po x 3/4 po	*	4	4	4
4	Bague à coupe carrée	132583	1	1	1
5	Joint rotatif avec ressort	131100	1	1	1
6	Impulseur		023502††	139349††	139349††
7	Diffuseur		132424	132424	132424
8	Caoutchouc, Diffuseur	132428	1	1	1
9	Corps de pompe		023381	023381	023381
11	Base	128034A	1	1	1
12	Pressostat - EK		020345	020346	020345
13	Buse		4C3915	4C3916	4C3916
14	Venturi		4C6026	4C6032	4C6032

(*) Article de quincaillerie standard
 (†) Non montré
 (††) Impulseur avec bague d'étanchéité 138138

PIÈCES DE RÉPARATION POUR POMPES À JET POUR Puits PEU PROFOND DE LA SÉRIE "E"

(Pour les prix, voir la liste des prix des pièces de rechange)



KIT DE RÉPARATION POUR POMPES À JET

MODÈLE NO.	KIT DE RÉPARATION POUR:
148143	1/2HP, Pompes à jet série "E" *
148141	3/4HP, Pompes à jet série "E" *
148140	1HP, Pompes à jet série "E" *

LA TROUSSE CONTIENT

Impulseur, Diffuseur, Joint rotatif, Bague à coupe carrée, Caoutchouc de diffuseur

ARTICLE	CHEVAL-VAPEUR		1/2	3/4	1	1
	MODÈLE NO.:	PIÈCE NO.	EK05	EK07	EK10	EK10S
	DESCRIPTION		QTÉ.			
1	Moteur, Nema J (Thd) Capot de moteur avec vis Vis, couvercle † Fil conducteur du moteur	021301R 021302 136135A	98J105 1 2 1	98J107 1 2 1	98J110 1 2 1	98J110 1 2 1
2	Bague de montage	*	135314	135314	136137	135314
3	Vis d'assemblage à tête hexagonale de 3/8 po x 3/4 po	*	4	4	4	4
4	Anneau, coupe carrée		132583	132583	132429	132583
5	Joint rotatif avec ressort	131100	1	1	1	1
6	Impulseur		139348††	139349††	134137	134137
7	Diffuseur		132424	132424	132425□	132425□
8	Caoutchouc, Diffuseur	132428	1	1	1	1
9	Corps de pompe		134311	134311	134312	134123
10	Bouchon, amorçage	*	1/2" NPT	1/2" NPT	1/2" NPT	1/2" NPT
11	Base	128034A	1	1	1	1
12	Pressostat		020345	020346	020346	020346
13	Corps d'éjecteur	135021	1	1	1	1
†	Ensemble de joints d'éjecteur avec boulons	132404	1	1	1	1
†	Buse		4C39-16	4C39-16	4C39-14	4C3914
†	Venturi		4C55-26	4C55-30	4C55-32	4C5532

(*) Article de quincaillerie standard

(†) Non montré

(††) Impulseur avec bague d'étanchéité 138138

(□) Diffuseur avec composant 134240

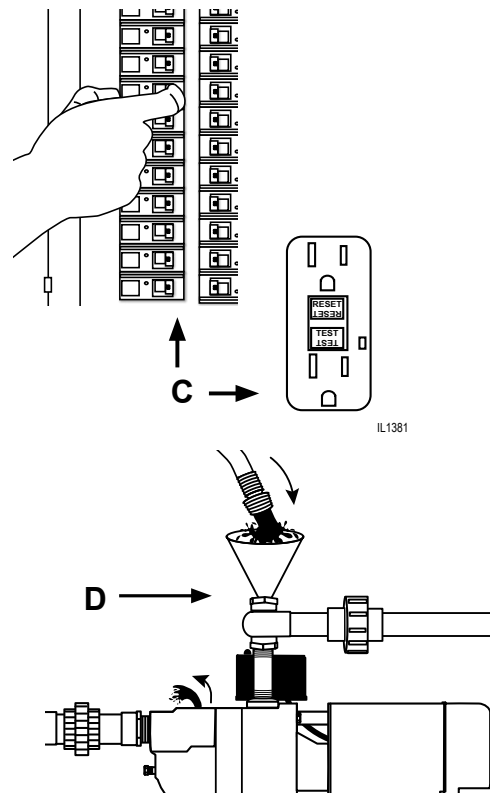
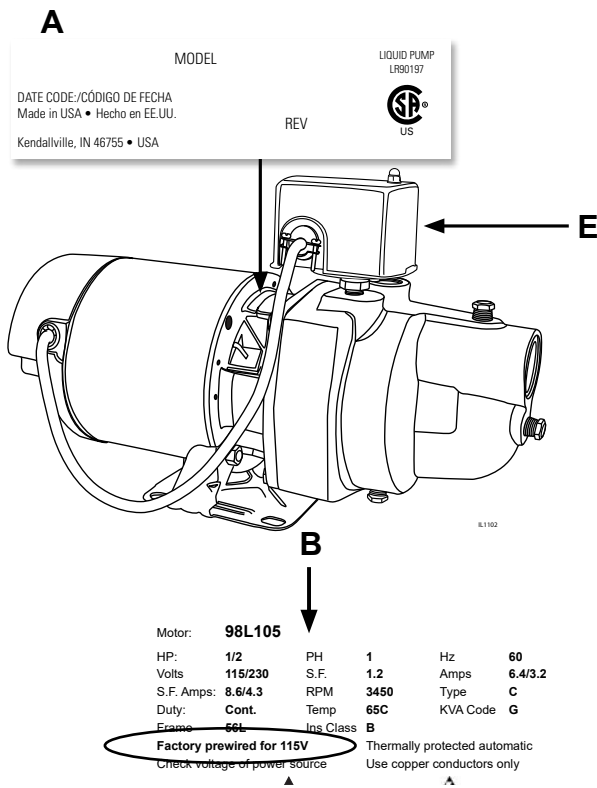
DÉPANNAGE

Problème	Cause possible	Mesure corrective
Le refoulement est inadéquat.	1. Le boîtier n'a pas été rempli d'eau.	1. Remplissez le boîtier de la pompe.
	2. La hauteur d'aspiration est trop élevée ou la tuyauterie d'aspiration est trop longue.	2. Rapprochez la pompe de la source d'eau.
	3. La conduite d'aspiration est trouée ou laisse fuir l'air.	3. Réparez-la ou remplacez-la. Appliquez du ruban d'étanchéité et de la pâte d'étanchéité.
	4. Le clapet de pied est trop petit.	4. Installez un clapet de pied correspondant à la tuyauterie ou supérieur d'une taille.
	5. Le clapet de pied ou la conduite d'aspiration ne sont pas submergés assez profondément dans l'eau.	5. Submergez-les plus profondément dans l'eau.
	6. Le moteur est incorrectement câblé.	6. Consultez le schéma de câblage.
	7. Le joint d'étanchéité du boîtier fuit.	7. Remplacez-le.
	8. Le robinet de la conduite d'aspiration ou de la conduite de refoulement est fermé.	8. Ouvrez-les.
La pompe n'achemine pas l'eau ou n'accumule pas de pression.	1. Le boîtier ne contient pas d'eau.	1. Remplissez le boîtier de la pompe.
	2. Il y a une fuite dans la conduite d'aspiration.	2. Réparez-la ou remplacez-la.
	3. La conduite de refoulement est fermée et l'air ne peut pas circuler.	3. Ouvrez le robinet à bille.
	4. La conduite d'aspiration ou son robinet sont fermés.	4. Ouvrez-les.
	5. Le clapet de pied fuit.	5. Remplacez le clapet de pied.
	6. Le filtre d'aspiration est bouché	6. Nettoyez-le ou remplacez-le.
L'aspiration est réduite.	1. Il y a une fuite d'air dans la conduite d'aspiration.	1. Réparez-la ou remplacez-la.
	2. La hauteur d'aspiration est trop élevée.	2. Réduisez la hauteur d'aspiration, installez le clapet de pied et apprêtez la pompe.
	3. La pression d'entrée ou la hauteur d'aspiration sont insuffisantes.	3. Augmentez la pression d'entrée en ajoutant de l'eau dans le réservoir ou en augmentant la contre-pression.
	4. Le clapet de pied ou la crépine sont obstrués.	4. Désobstruez-les.
La pompe vibre ou émet un bruit excessif.	1. La plaque de montage ou la fondation ne sont pas suffisamment rigides.	1. Renforcez-les.
	2. La pompe contient des corps étrangers.	2. Démontez la pompe et nettoyez-la.
	3. La roue est endommagée.	3. Remplacez-la.
	4. Les roulements du moteur sont usés.	4. Remplacez-les.
La pompe ne fonctionne pas.	1. Le câblage est inadéquat.	1. Consultez le schéma de câblage du moteur.
	2. Un fusible est grillé ou un disjoncteur est ouvert.	2. Remplacez le fusible ou fermez le disjoncteur.
	3. Des fils sont desserrés ou brisés.	3. Serrez les connexions et remplacez les fils brisés.
	4. Une pierre ou un autre corps étranger se sont logés dans la roue.	4. Démontez la pompe et retirez le corps étranger.
	5. Le moteur a subi un court-circuit.	5. Remplacez-le.
	6. Le circuit s'est ouvert en raison d'une surcharge thermique.	6. Laissez l'unité refroidir, puis redémarrez-la une fois la raison de la surcharge établie.

LISTE DE VÉRIFICATION RAPIDE POUR LE DÉPANNAGE

Veillez répondre aux questions suivantes avant de retourner la pompe pour cause de défaut. Si vous avez des questions, veuillez communiquer avec notre service à la clientèle au 1 800 742-5044.

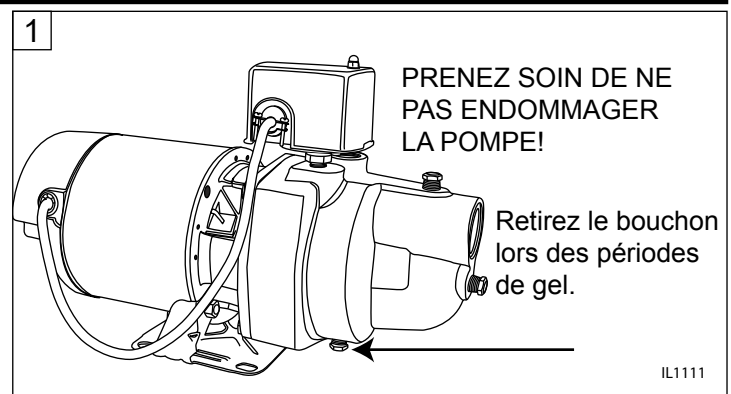
✓	LISTE DE VÉRIFICATION
A	Vérifiez le code de date afin de vous assurer que la période de garantie de la pompe n'est pas expirée. Le code de date est composé du mois et de l'année. (Exemple : 0311 signifie mars 2011. Le code de date est situé sur le dessus de la pompe.)
B	Assurez-vous que la source d'alimentation est conforme aux exigences de la pompe. Cette pompe est munie d'un moteur à tension double et peut être raccordée à un circuit de 115 V ou 230 V. Consultez l'étiquette de la pompe pour vérifier la tension pré-réglée en usine.
C	Si la pompe ne fonctionne pas, vérifiez le disjoncteur différentiel ou l'interrupteur au panneau de disjoncteurs afin de vous assurer qu'ils sont bien réglés.
D	Si la pompe fonctionne en tout temps, assurez-vous qu'elle a été amorcée correctement. Si la pompe ne demeure pas amorcée, inspectez le clapet de non-retour, le clapet de pied et la tuyauterie, puis amorcez-la de nouveau.
E	Si la pompe fonctionne mais ne s'arrête pas, vérifiez le pressostat.



ENTRETIEN

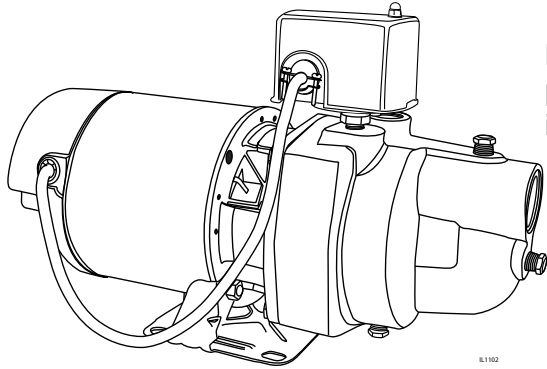
Hivernage

⚠ MISE EN GARDE : En cas de risque de gel, videz tout le système. Le bouchon d'évacuation situé au bas du boîtier de la pompe est prévu à cette fin. (**Fig 1**).



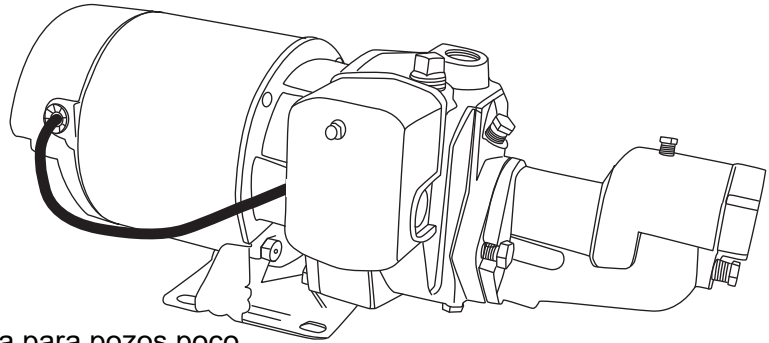
BOMBAS DE CHORRO PARA POZOS POCO PROFUNDOS

110 West Division St. | Boonville, IN 47601



Bomba de chorro para pozos poco profundos integrada

IL1102



Bomba para pozos poco profundos multiuso

IL0068



PARE-Si hay piezas sueltas, faltantes o dañadas o si la unidad no parece funcionar correctamente, llame antes de devolver la unidad al lugar de compra

No. de teléfono: 1-800-742-5044

Horario de servicio:

Lunes a viernes - de 7:30 am a 5:00 pm EST

ÍNDICE

Especificaciones del producto	42
Información de seguridad	43
Información general de la bomba	44
Preparación	45
Conexión del pozo a la bomba	46
Conexión del tanque a la bomba	48
Conexión del tanque a la casa	49
Conexiones eléctricas de la bomba	51
Cebado y puesta en marcha de la bomba	55
Piezas de repuesto	58
Solución de problemas	59
Cuidado y mantenimiento	60

ESPECIFICACIONES DEL PRODUCTO

Tabla de Datos del Motor

Modelo	kW	Fase	Voltios	Amperes máx.	Amperes del rotor bloqueado
JH03S	1/3	1	115 or 230	8.6/4.3	26.0/13.0
CPH05S	0,37	1	115 or 230	13.0/6.5	36.0/18.0
Todos los demás	0,37	1	115 or 230	8.6/4.3	26.0/13.0
Todos	0,56	1	115 or 230	13.0/6.5	36.0/18.0
Todos	0,75	1	115 or 230	14.0/7.0	52.0/26.0
Todos	0,56	1	115 or 230	21.0/10.5	98.0/49.0

Tabla de Tallas de Descarga

1 in.			3/4 in.
416959	CPHX05S1524	EK07SAT44H	JHU03S
433217	CPHX07S1632	ES05S	
433225	EK05S	ES05SAT25H	
CPH071726	EK07S	ES07S	
CPH07S	EK10S	JHU10S	
CPH10S	EK05SAT25H	JHU15S	
CPHX03S1422	EK05SQ		

Lea y comprenda todo el manual antes de intentar ensamblar, operar o instalar el producto. Si tiene alguna pregunta sobre el producto, llame a Servicio al Cliente al 1-800-742-5044, de 7:30 am a 5:00 pm, EST, de lunes a viernes.

! PELIGRO:

1. Desconecte siempre la fuente de alimentación antes de realizar cualquier trabajo en o cerca del motor o su carga conectada. Si el punto de desconexión de la alimentación está fuera de la vista, bloquéelo en posición abierta y etiquételo para evitar una aplicación inesperada de energía. No hacerlo podría redundar en una descarga eléctrica mortal.
2. No manipule la bomba con las manos mojadas o cuando esté parado en agua, ya que podría ocurrir una descarga eléctrica mortal. ¡Desconecte la alimentación principal antes de manipular la unidad por CUALQUIER RAZÓN!
3. RIESGO DE DESCARGA ELÉCTRICA. El uso de estas bombas en piscinas no ha sido investigado.

! ADVERTENCIA:

1. Cumpla con todos los códigos de electricidad y seguridad, incluyendo el Código Eléctrico Nacional (NEC) y la Ley de Seguridad y Salud Ocupacionales (OSHA).
2. Cambie inmediatamente los cables dañados o desgastados.
3. No doble el cable de alimentación y nunca permita que el cable entre en contacto con aceite, grasa, superficies calientes o productos químicos.
4. Cablee el motor para corregir el suministro de tensión: consulte la placa de identificación del motor y los diagramas de cableado y compruebe la tensión de la fuente de alimentación.
5. La unidad debe estar conectada a tierra de forma segura y adecuada. Esto se puede hacer cableando la unidad a un sistema de conductos individuales con recubrimiento metálico

y conexión a tierra o utilizando un cable de conexión a tierra por separado conectado en la parte metálica al descubierto del armazón del motor o de otra manera adecuada.

6. Este producto contiene productos químicos de los que el estado de California tiene conocimiento de que provocan cáncer, malformaciones congénitas u otros daños al sistema reproductor.
7. ¡Presión peligrosa! Instale una válvula de descarga de presión en la tubería de descarga. Libere toda la presión del sistema antes de trabajar en cualquier componente.
8. No la utilice para bombear líquidos inflamables o explosivos, tales como gasolina, fueloil, queroseno, etc. No la utilice en atmósferas inflamables y/o explosivas.

! PRECAUCIÓN:

1. Evite que el cable de alimentación entre en contacto con objetos afilados.
2. Tenga cuidado al tocar el exterior de un motor en funcionamiento, podría estar lo suficientemente caliente para causar dolor o una lesión.
3. Asegúrese de que la fuente de alimentación cumpla con los requisitos de su equipo.
4. No ponga a funcionar la bomba en seco.
5. La bomba y las tuberías deben estar llenas de agua antes de arrancar.
6. No bombee agua que contenga arena, barro, limo o residuos.

NOTA: las bombas con la marca "UL" y las bombas con la marca "US" son ensayadas conforme a la norma UL778 de UL. Las bombas certificadas según CSA son certificadas conforme a la norma C22.2 No. 108 de CSA. (CUS)

IMPORTANTE:

Esta bomba de chorro está cableada para 115 V o 230 V. La etiqueta de la bomba indicará si la bomba está precableada para 115V o 230V. Para cambiar el voltaje de la bomba, consulte el diagrama de la etiqueta de la bomba o la página 54 de estas instrucciones.

INFORMACIÓN GENERAL DE LA BOMBA

CONFIGURACIÓN TÍPICA DE LA BOMBA

Las bombas de chorro para pozos poco profundos están diseñadas para su uso donde la extracción de agua es de 7,6 m (25 pies) o menos. Se pueden utilizar con pozos perforados (pozos entubados) (Fig. 1), pozos excavados, pozos hincados (Fig. 2) o con cisternas o lagos.

VENTILACIÓN

Se debe proporcionar ventilación y drenaje para evitar daños en el motor causados por el calor y la humedad.

CONGELACIÓN

La bomba y todas las tuberías deben ser protegidas de la congelación. Si se pronostica un clima frío, drene la bomba o retírela completamente del sistema.

SUMINISTRO DE AGUA

El abasto de agua debe suministrar suficiente agua para satisfacer la capacidad de la bomba y las necesidades de agua. Vea la tabla de rendimiento en la página 42.

EXTRACCIÓN DE AGUA

La extracción de agua es la distancia vertical desde el nivel más bajo del agua hasta la entrada de la bomba. La bomba moverá el agua siempre y cuando se encuentre dentro de 7,6 m (25 pies) verticales del abasto de agua.

DISTANCIA HORIZONTAL

La distancia horizontal es la medida horizontal entre la succión de la bomba y el abasto de agua. Esta distancia puede afectar a la capacidad de la bomba para operar. Si es de más de 30,5 m (100 pies), llame al fabricante para obtener asistencia al 1-800-742-5044.

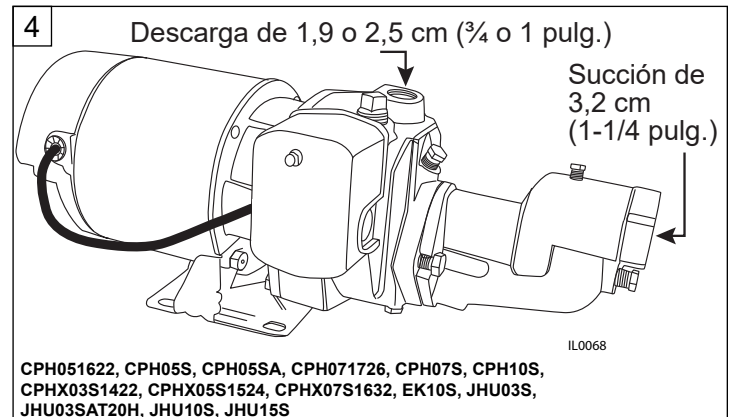
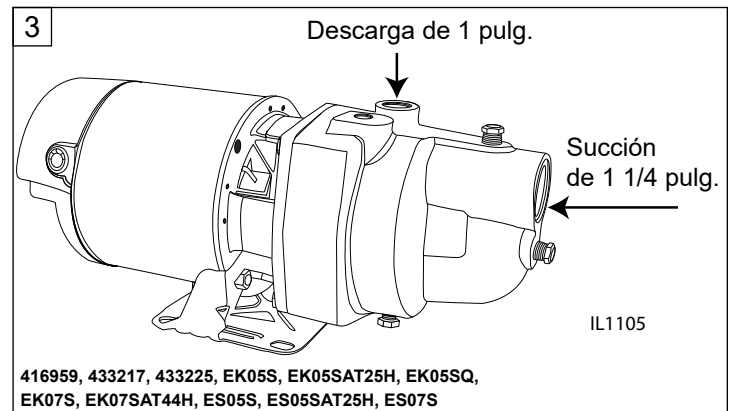
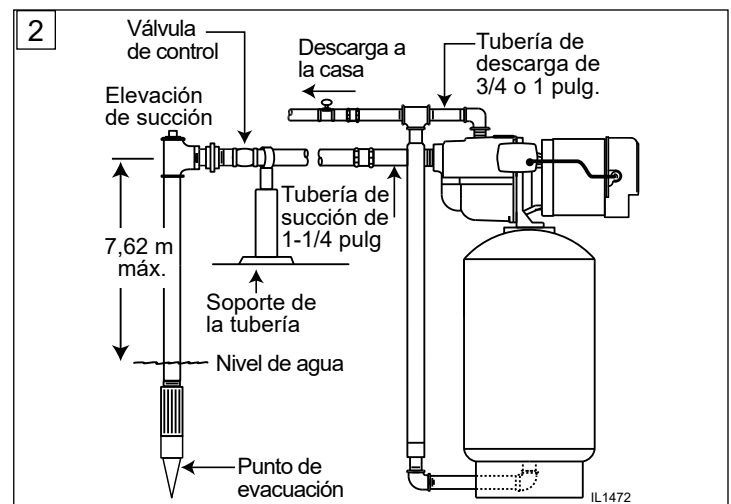
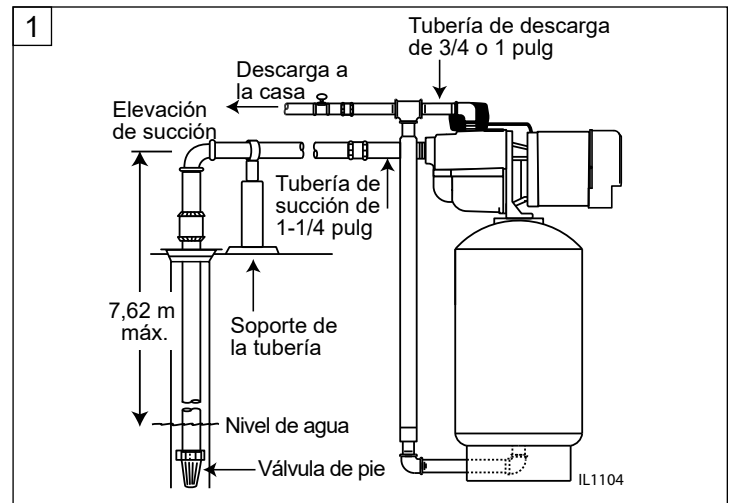
TUBERÍA Y CONECTORES

Utilice una tubería y conectores de acero galvanizado o NSF PW Schedule 40 PVC. Este material está diseñado para la presión del agua y sellará contra aire y agua bajo presión. No utilizar: conectores DWV, ya que están diseñados para desagües sin presión y no sellarán adecuadamente. (Fig. 2 y 3)

⚠ PRECAUCIÓN: Es necesario hacer todo el sistema a prueba de aire y agua para lograr un funcionamiento eficiente y mantener el cebado.

TAMAÑO DEL CABLE:

El tamaño del cable se determina por la distancia desde la fuente de alimentación hasta el motor de la bomba y la potencia nominal del motor. Consulte el tamaño adecuado de cables en la tabla de cables en la página 51.



PREPARACIÓN

Antes de comenzar la instalación del producto, asegúrese de tener todas las piezas. Si falta alguna pieza o está dañada, no intente ensamblar el producto. Póngase en contacto con el servicio al cliente para obtener las piezas de repuesto.

Tiempo estimado de instalación: 2 horas.

HERRAMIENTAS NECESARIAS

Llaves para tuberías (2)

Pelacables

Pinzas de punta de aguja

Destornillador Phillips

Cortadores de cables

Llave ajustable

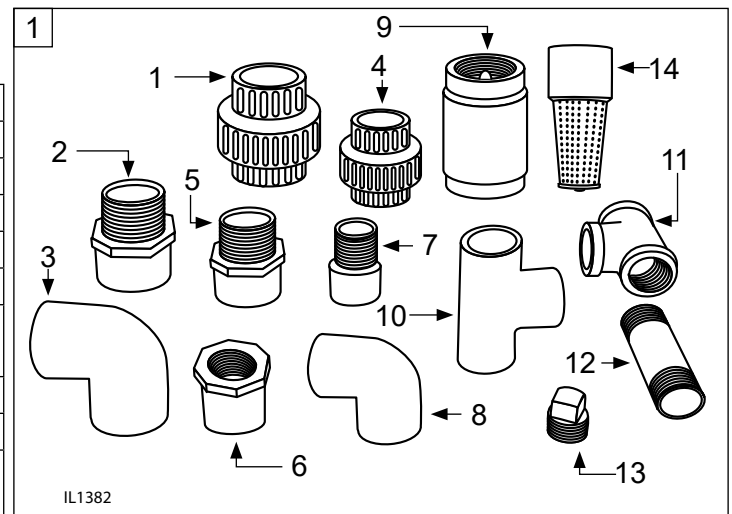
Cinta de teflón

Pegamento para tuberías

NOTA: para una instalación exitosa, dedique a estudiar su aplicación para determinar el tamaño de la tubería correcta y conectores apropiados. Las ilustraciones de estas instrucciones le ayudarán con los conectores necesarios y opcionales. Se utilizaron una tubería y conectores de PVC Schedule 40 en estas instrucciones.

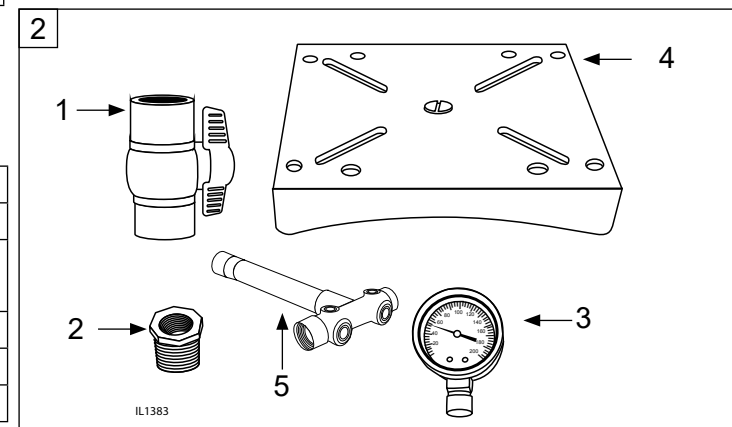
PIEZAS QUE PUEDA NECESITAR PARA EL MONTAJE (no incluidas) (Fig. 1)

Componente	Descripción
1	Unión de 3,2 cm (1¼ pulg.)
2	Adaptador de 3,2 cm (1¼ pulg.)
3	Codo de 3,2 cm (1-1/4 pulg.)
4	Unión de 1,9 cm (¾ pulg.)
5	Adaptador de 2,5 cm (1 pulg.)
6	Buje reductor de 2,5 x 1,9 cm (1 x ¾ pulg.)
7	Adaptador de 1,9 cm (¾ pulg.)
8	Codo de 2,5 cm (1 pulg.)
9	Válvula de retención de 3,2 cm (1-1/4 pulg.)
10	"T" de 1,9 cm (¾ pulg.) (plástico)
11	"T" de 1,9 cm (¾ pulg.) (acero)
12	Racor de 1,9 x 7,6 cm (¾ x 3 pulg.) (acero)
13	Tapón de 1,9 cm (¾ pulg.) (acero)
14	Válvula de zapata
	Pasacables de cable eléctrico



PIEZAS OPCIONALES PARA MONTAJE (no incluidas) (Fig. 2)

Componente	Descripción
1	Válvula de bola (plástico)
2	Buje de 1,9 x 0,6 cm (¾ x ¼ pulg.) (acero)
3	Manómetro
4	Tarima de bomba para tanque
5	T para tanque



CONEXIÓN DEL POZO A LA BOMBA (TUBERÍA DE SUCCIÓN)

⚠ PRECAUCIÓN: coloque todo el conjunto en seco para asegurarse del ajuste apropiado antes de ponerle cola o cinta adhesiva a las piezas.

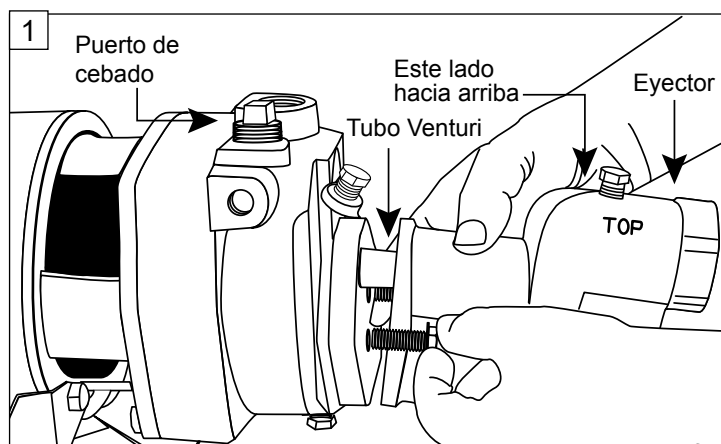
⚠ PRECAUCIÓN: siga todos los procedimientos adecuados para aplicar la cola según lo especificado por el fabricante de la cola. Siempre pegue en dirección vertical cuando sea posible para evitar que la cola gotee dentro de la tubería o los conectores

⚠ PRECAUCIÓN: use cinta de teflón y compuesto sellador para tuberías en las roscas macho. Apriete con la llave hasta un ajuste completo y haga otro giro de 1/4 para garantizar un sellado adecuado.

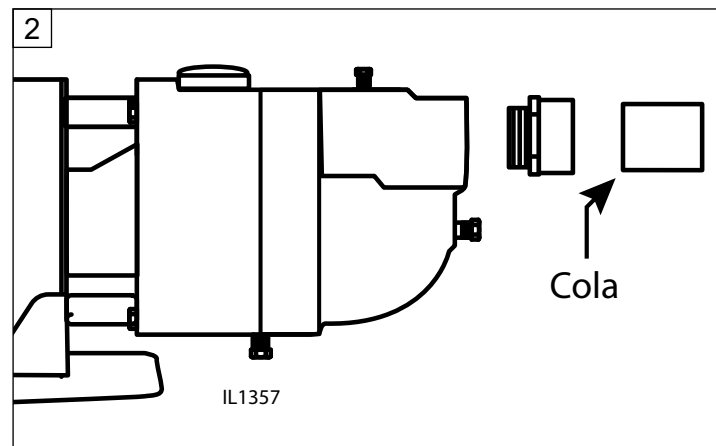
1. Solo modelos JHU10S, EK10S, JHU03S, JHU15S, CPH05S

Fije el eyector a la cara de bomba con los dos (2) pernos y juntas proporcionados. El tubo Venturi del eyector se inserta en la rosca superior de la cara de la bomba (Fig. 1).

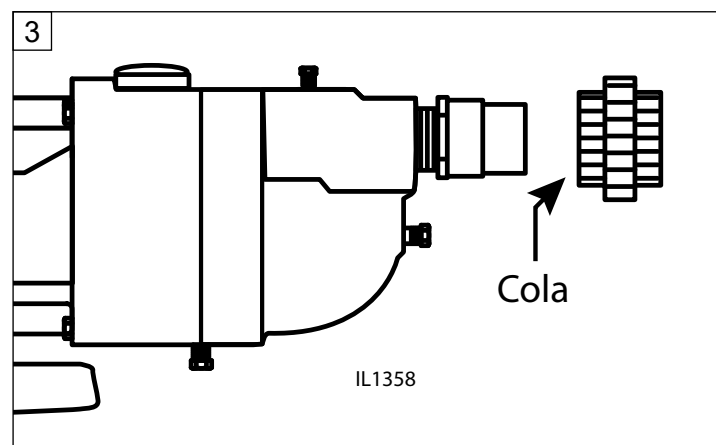
NOTA: los modelos 416959, 433217, 433225, EK05S, EK05SAT25H, EK05SQ, EK07S, EK07SAT44H, ES05S, ES05SAT25H, y ES07S tienen eyector integrado.



2. Haga la conexión del pozo primero. Envuelva 5 veces todos los conectores roscados con cinta de teflón y luego aplique pasta para tuberías (pasta lubricante) para garantizar una conexión hermética. (Fig. 2)



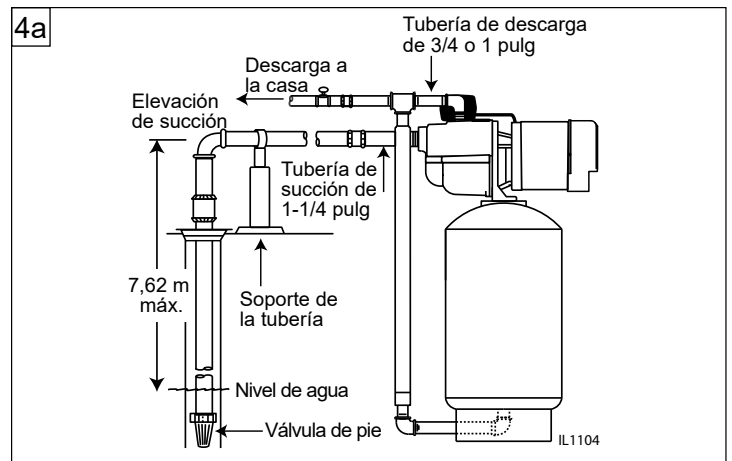
3. El uso de una unión (opcional) ayudará para una fácil conexión y desconexión. (Fig. 3)



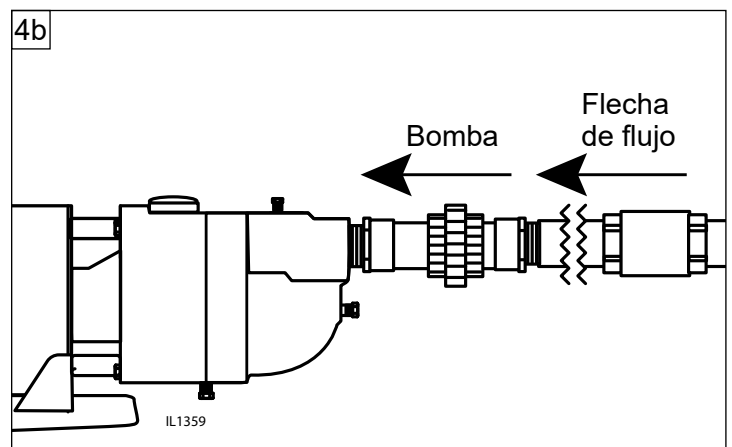
CONEXIÓN DEL POZO A LA BOMBA (TUBERÍA DE SUCCIÓN) (CONTINUACIÓN)

4a. NOTA: para pozos perforados (entubados), se requiere una válvula de zapata en el pozo en el extremo de la tubería para mantener el cebado. (Fig. 4a)

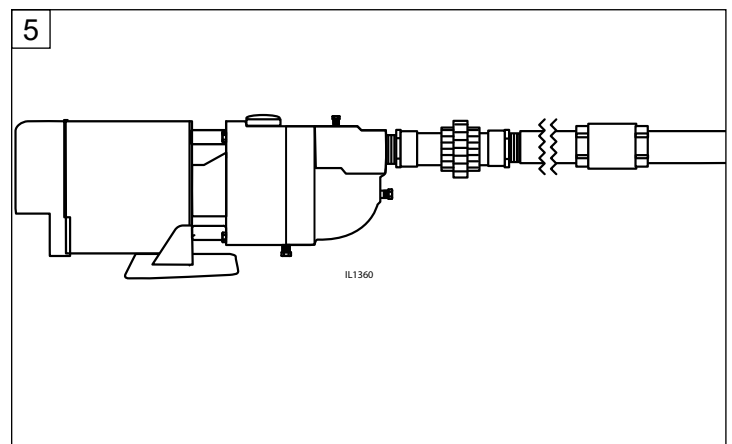
Nota: Mantenga la longitud de la tubería entre el tanque de presión y la bomba/interruptor de presión a 18 pulgadas siempre que sea posible para evitar ciclos cortos de la bomba y el ruido del interruptor de presión.



4b. En los pozos hincados, se requiere una válvula de retención en la parte superior del pozo para mantener el cebado. La flecha de flujo debe apuntar hacia la bomba. (Fig 4b)

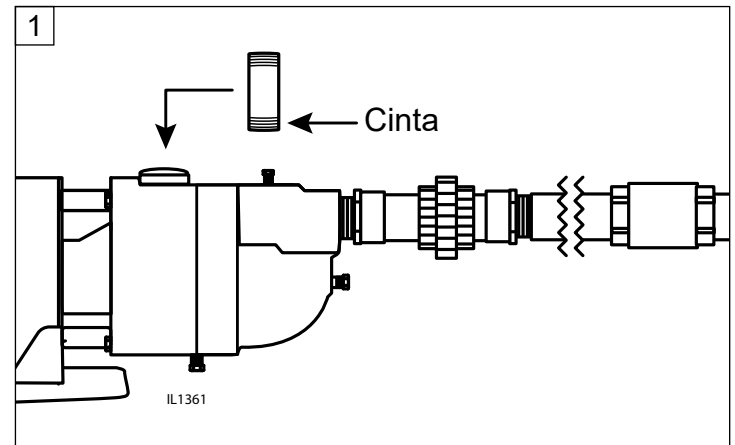


5. Complete la conexión del pozo con las tuberías y conectores adicionales según sea necesario. (Fig. 5)

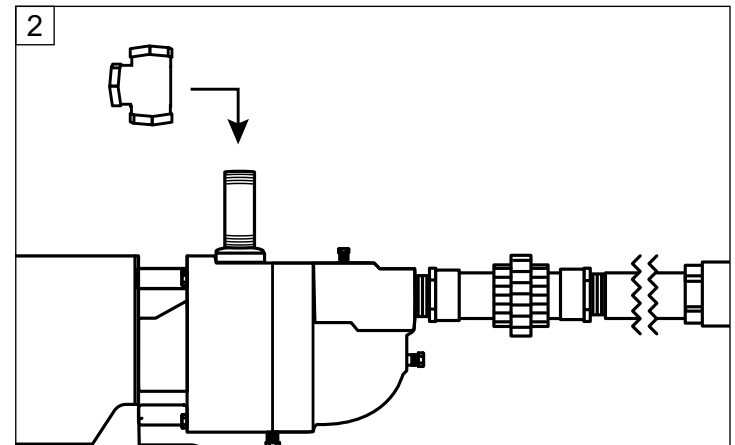


CONEXIÓN DE LA BOMBA AL TANQUE DE PRESIÓN (TUBERÍA DE DESCARGA)

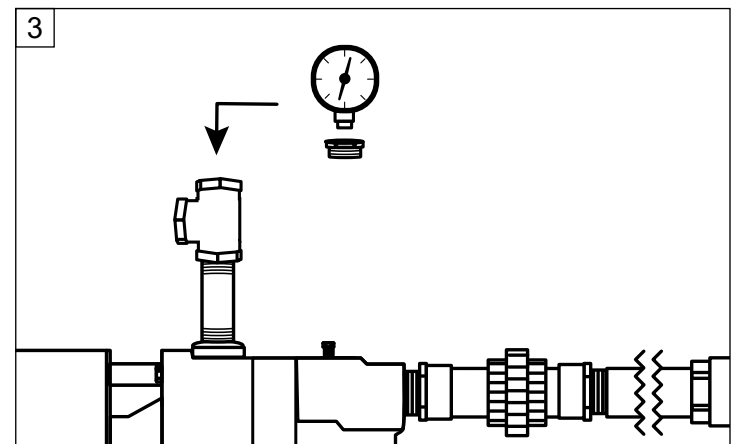
1. Comience la conexión al tanque de presión.
Usando un racor galvanizado de 2,5 x 7,6 cm (1 x 3 pulg.), envuelva 5 veces las roscas con cinta de teflón o aplique pasta para tuberías (pasta lubricante) e instálelo en la parte superior de la bomba. (Fig. 1)



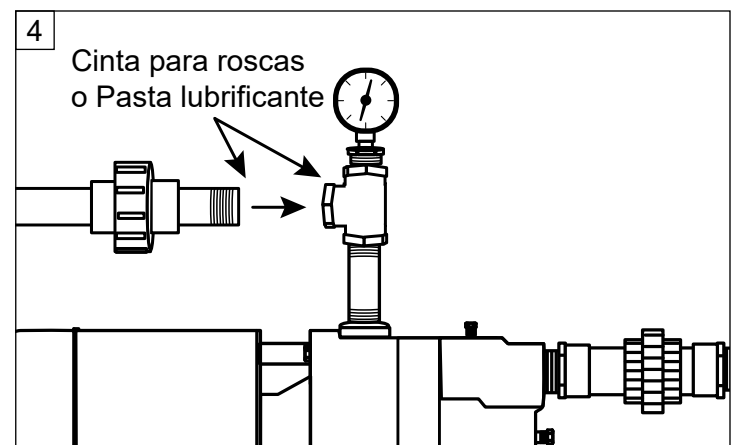
2. Instale un conector galvanizado en T de 2,5 x 2,5 x 2,5 cm (1 x 1 x 1 pulg.). (Fig. 2)



3. Instale un buje galvanizado con rosca macho de 2,5 cm (1 pulg.) x rosca hembra de 0,6 cm (1/4 pulg.) y un manómetro (opcional), o un tapón para tubos. No apriete, ya que usted cebará la bomba más tarde en este punto. (Fig. 3)



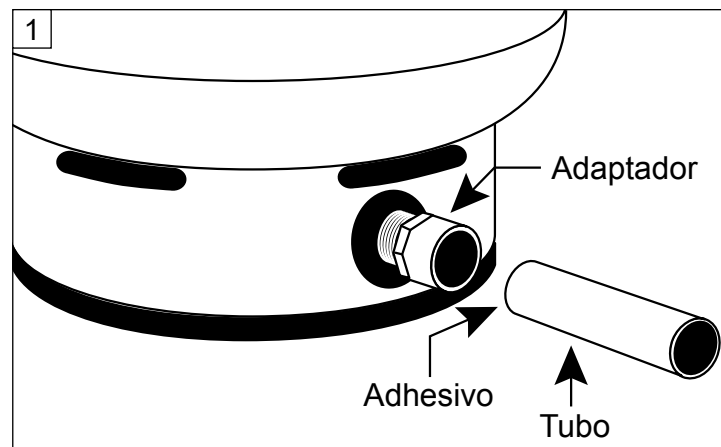
4. Continúe con los conectores y la tubería hacia al tanque de presión. Se recomienda una unión de 2,5 cm (1 pulg.) (opcional) para facilitar la conexión y desconexión. (Fig. 4)



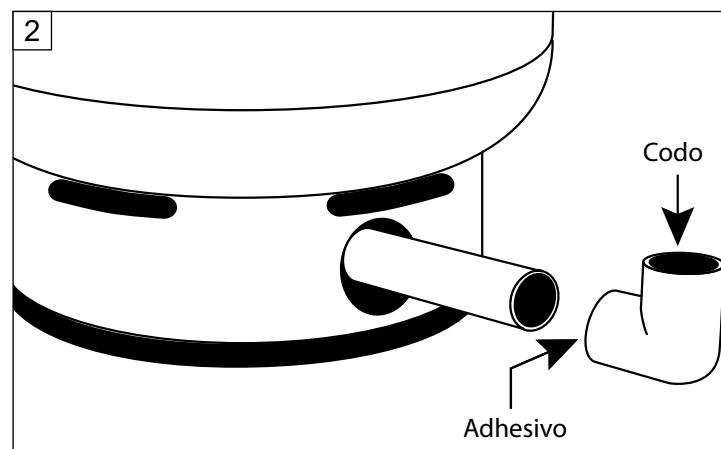
NOTA: Es posible que se requiera una transición a una tubería de 3/4 de pulgada para conectarse a las tuberías existentes.

CONEXIÓN DEL TANQUE A LA CASA

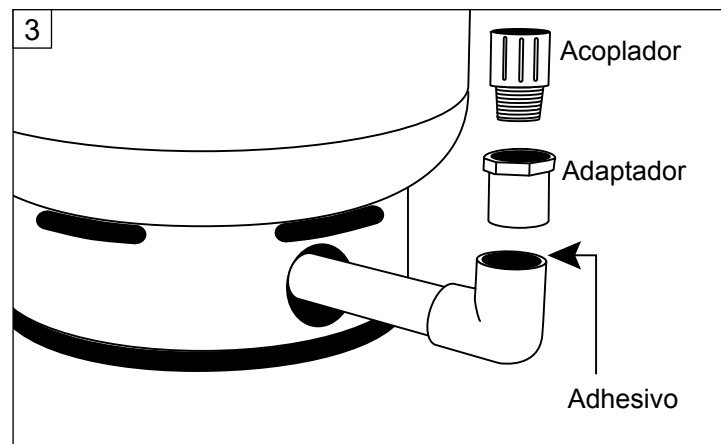
1. La mayoría de los tanques de presión tendrán un codo de entrada de 2,5 cm (1 pulg.) en la parte inferior. Conecte este codo con una Rosca macho de 2,5 cm (1 pulg.) x un adaptador de unión deslizante de 2,5 cm (1 pulg.) (cola) y un pequeño pedazo de tubo. (Fig. 1)



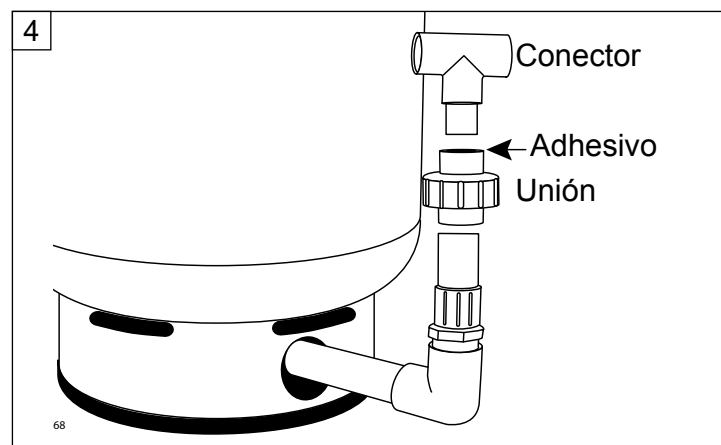
2. Instale un codo de 2,5 cm (1 pulg.) (Fig. 2)



3. Conecte un tubo de DN25 (1 pulg. NPT) al codo y un buje reductor de 2,5 x 1,9 cm (1 x 3/4 pulg.) a la tubería. (Fig. 3)

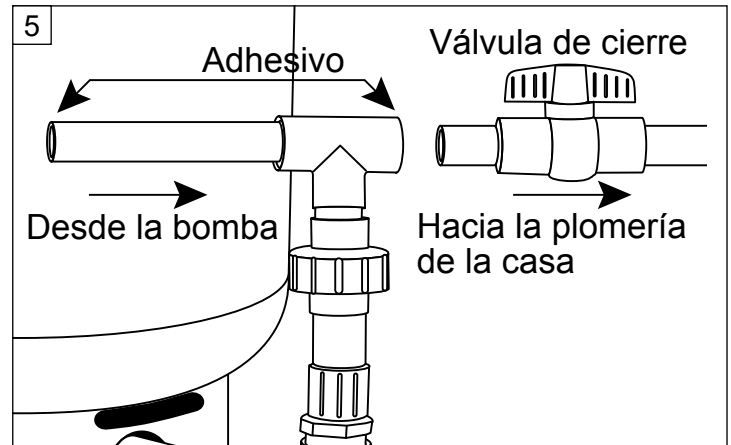


4. Conecte un tubo de DN20 (3/4 pulg. NPT) al buje reductor. Instale una unión opcional de 1,9 cm (3/4 pulg.) y continúe con el tubo y la T de 1,9 x 1,9 x 1,9 cm (3/4 x 3/4 x 3/4 pulg.). (Fig. 4)

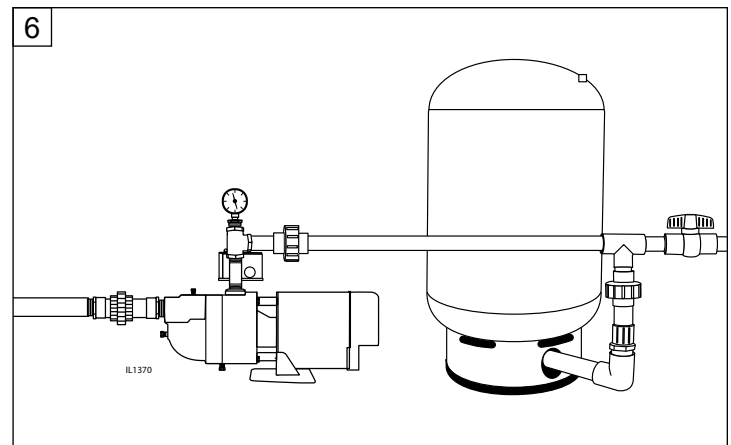


CONEXIÓN DEL TANQUE A LA CASA (CONTINUACIÓN)

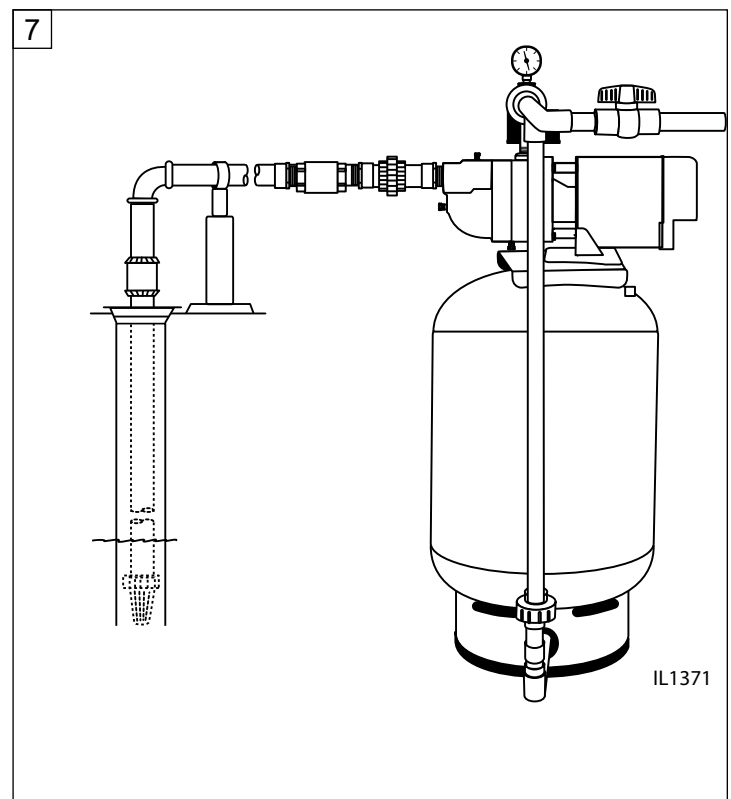
5. Haga la conexión a la tubería de la casa. Desde la T, instale la tubería y la válvula de cierre (opcional). (Fig. 5)



6. Se muestra la instalación completa con las tuberías y el tanque (Fig. 6)



7. Se muestra el sistema de tanque opcional montado. Las conexiones son básicamente las mismas que se explicaron en los pasos anteriores. (Fig. 7)



CONEXIONES ELÉCTRICAS DE LA BOMBA

⚠ PRECAUCIÓN: todo el cableado debe ser efectuado por un electricista calificado de acuerdo con el Código Eléctrico Nacional y los códigos eléctricos locales.

⚠ PRECAUCIÓN: conecte la bomba a un circuito eléctrico independiente con un disyuntor dedicado. Consulte la Tabla de tamaño de cables para obtener el tamaño correcto del fusible.

⚠ ADVERTENCIA: un cableado insuficiente puede causar un fallo del motor e incluso un incendio. Utilice el tamaño del cable adecuado especificado en la Tabla de tamaño de cables.

⚠ ADVERTENCIA: cambie inmediatamente los cables dañados o desgastados.

⚠ ADVERTENCIA: no doble el cable de alimentación y nunca permita que el cable entre en contacto con aceite, grasa, superficies calientes o productos químicos.

⚠ PRECAUCIÓN: Evite que el cable de alimentación entre en contacto con objetos afilados.

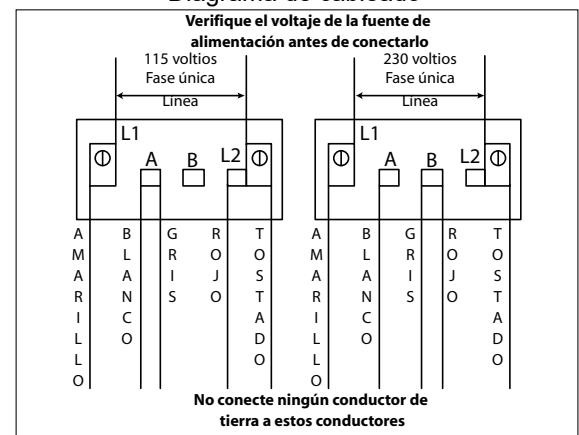
⚠ ADVERTENCIA: la bomba debe estar correctamente conectada a tierra mediante el cable correcto con tierra.

⚠ ADVERTENCIA: desconecte siempre la bomba de la electricidad antes de realizar cualquier trabajo en el motor.

TABLA DE TAMAÑO DE CABLES										
Distancia desde el motor al medidor	Tamaño recomendado del cable de cobre y fusibles									
	Motores monofásicos									
	0,33 kW		0,37 kW		0,56 kW		0,75 kW		1,12 kW	
	115 V	230 V	115 V	230 V	115 V	230 V	115 V	230 V	115 V	230 V
0 a 15,2 m (0 a 50 pies)	14	14	14	14	14	14	12	14	12	14
15,2 a 30,5 m (50 a 100 pies)	14	14	12	14	10	14	10	14	8	14
30,5 a 45,7 m (100 a 150 pies)	12	14	10	14	8	14	8	14	6	14
45,7 a 61,0 m (150 a 200 pies)	10	14	8	14	8	14	6	12	6	12
61,0 a 91,4 m (200 a 300 pies)	8	14	6	12	6	12	4	10	4	10
61,0 a 91,4 m (200 a 300 pies)	15	15	15	15	15	15	20	15	20	15

(* No económico para operar en 115 V, utilizar 230 V

Diagrama de cableado



Cableado del presostato

1. **PRECAUCIÓN:** asegúrese de que la fuente de alimentación cumpla con los requisitos de la bomba. Esta bomba tiene un motor de doble voltaje y puede funcionar a 115 V o 230 V. Consulte la etiqueta de la bomba para verificar el voltaje precableado en la fábrica. (Fig. 1)

NOTA: para cambiar el voltaje de la bomba, vea el diagrama de cableado en esta página o las instrucciones paso a paso en la página 54.

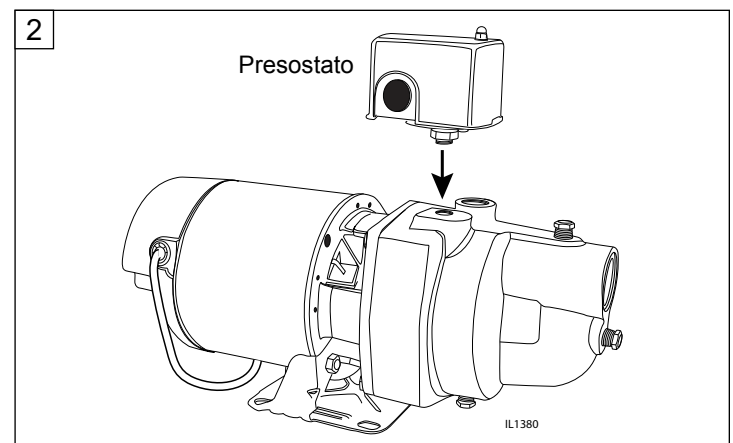
2. Atornille el presostato en la abertura de 0,6 cm (1/4 pulg.) en la parte superior de la bomba y retire la tapa del interruptor. (Fig. 2)

1 Motor: **98L105**

HP:	1/2	PH	1	Hz	60
Volts	115/230	S.F.	1.2	Amps	6.4/3.2
S.F. Amps:	8.6/4.3	RPM	3450	Type	C
Duty:	Cont.	Temp	65C	KVA Code	G
Frame	56L	Ins Class	B	Thermally protected automatic	
Factory prewired for 115V				Use copper conductors only	
Check voltage of power source					

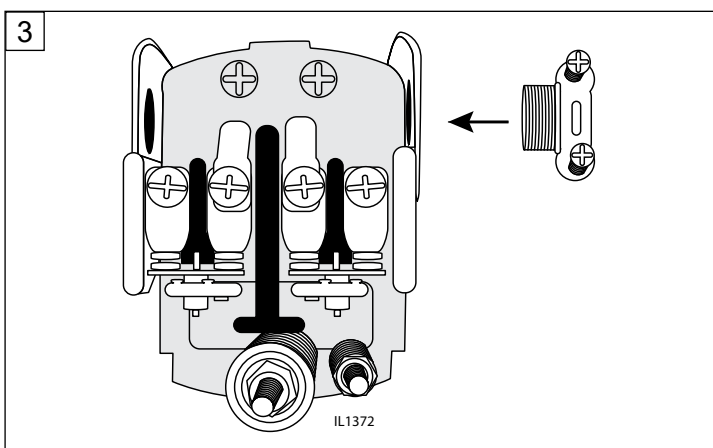
⚠ ELECTRICAL HAZARD ⚡

Improper installation may result in fire, explosion, electrical short or injury. Replace all covers before operating. Ground motor in accordance with local and national electrical codes. Disconnect power source before touching internal parts. Motors equipped with automatic protection may restart without warning. See instruction manual for proper installation procedure. Se reporter au manuel d'instructions pour suivre la procédure adéquate d'installation. Consulte el instructivo para conocer el procedimiento de instalación correcto.

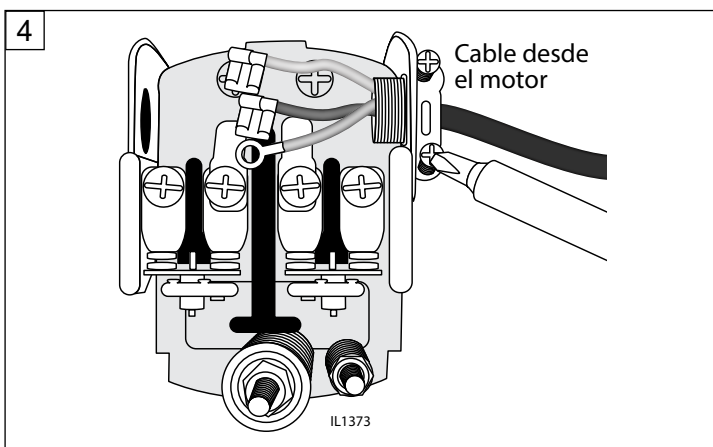


CONEXIONES ELÉCTRICAS DE LA BOMBA (CONTINUACIÓN)

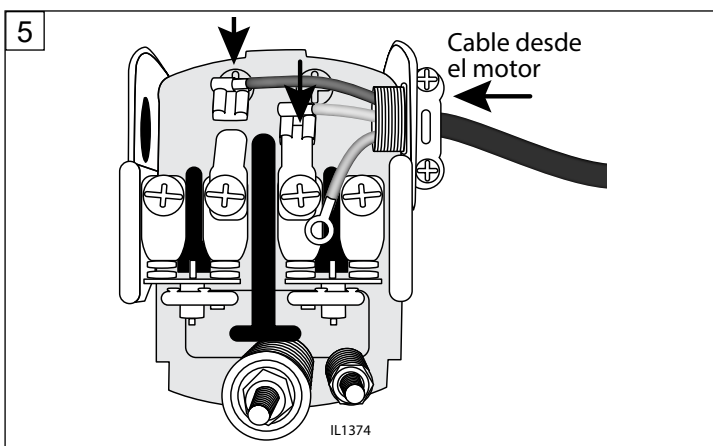
3. Inserte un pasacables de cables eléctricos en la abertura del lado del presostato más cercano al motor. (Fig. 3)



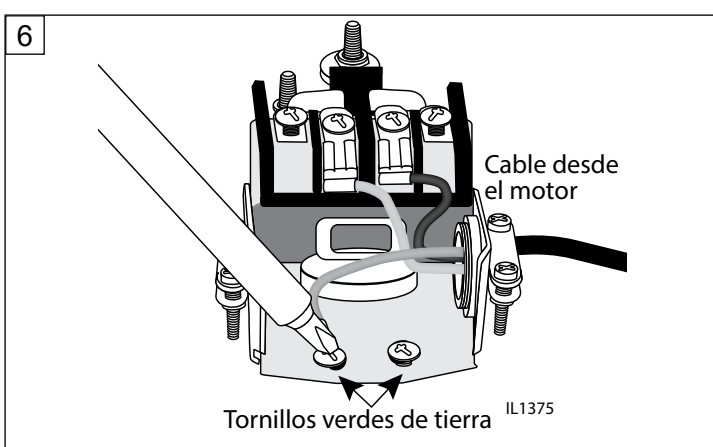
4. Pase el cable desde el motor de la bomba a través del pasacables hasta dentro la cavidad del presostato y apriete los dos tornillos del pasacables. No aplaste el cable. (Fig. 4)



5. Conecte los dos hilos del cable del motor a los dos terminales interiores del presostato. (Fig. 5)

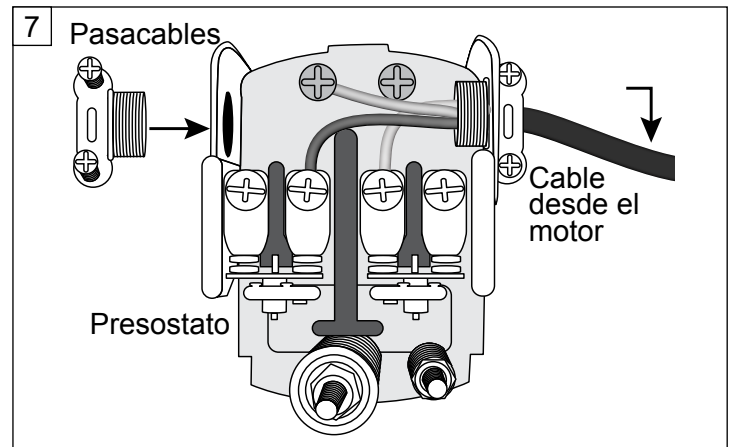


6. Conecte el hilo verde de tierra del cable del motor a uno de los tornillos verdes de tierra en la parte inferior del presostato. (Fig. 6)

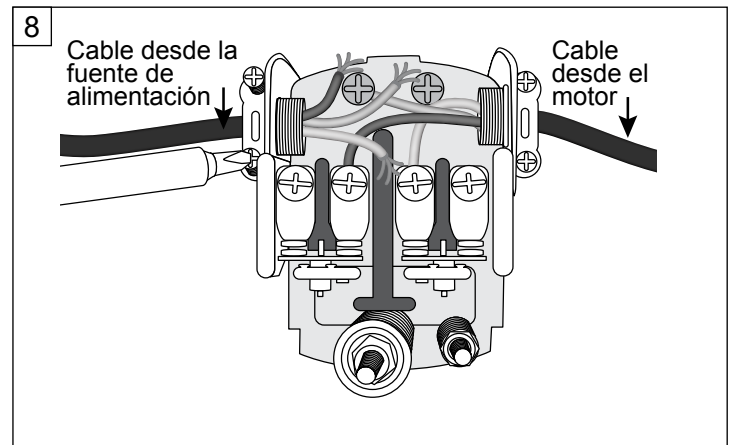


CONEXIONES ELÉCTRICAS DE LA BOMBA (CONTINUACIÓN)

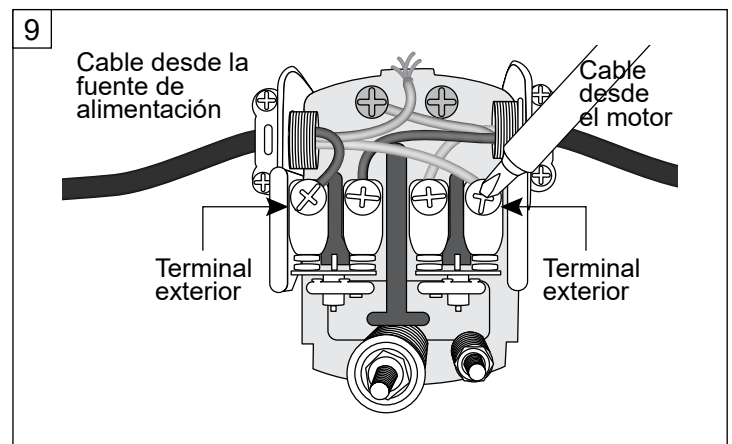
7. Inserte un pasacables de cables eléctricos en la abertura del lado opuesto del presostato. (Fig. 7)



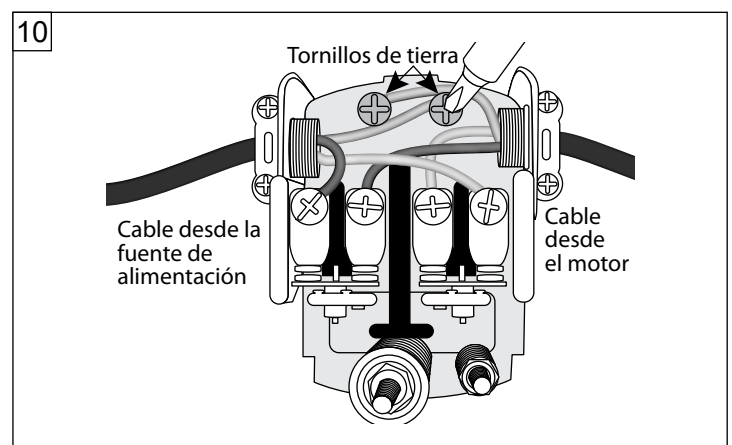
8. Pase el cable desde la fuente de alimentación a través del pasacables y apriete los dos tornillos del pasacables. No aplaste el cable. (Fig. 8)



9. Conecte los dos hilos de la fuente de alimentación a los dos terminales exteriores del presostato. (Fig. 9)



10. Conecte los dos hilos de la fuente de alimentación a los dos terminales exteriores del presostato. (Fig. 10)



CONEXIONES ELÉCTRICAS DE LA BOMBA (CONTINUACIÓN)

Para cambiar de 115 V a 230 V

11. El motor de esta bomba es de doble voltaje y puede funcionar a 115 V o 230 V. En general, es más económico que opere a 230 V y requiere un tamaño de cable más pequeño. La mayoría de los modelos están preajustados de fábrica para funcionar a 115 V. **NOTA:** consulte la etiqueta de la bomba para verificar el voltaje precableado en fábrica. (Fig. 11)

11	Motor:	98L105			
HP:	1/2	PH	1	Hz	60
Volts	115/230	S.F.	1.2	Amps	6.4/3.2
S.F. Amps:	8.6/4.3	RPM	3450	Type	C
Duty:	Cont.	Temp	65C	KVA Code	G
Frame	56L	Ins Class	B		

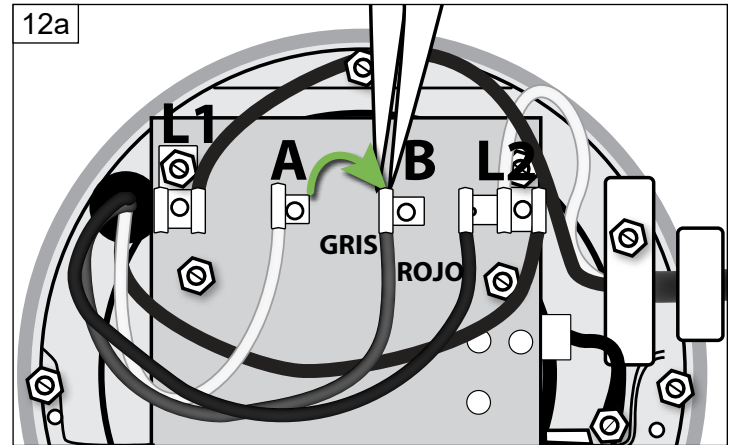
Factory prewired for 115V Thermally protected automatic
Check voltage of power source Use copper conductors only

⚠ ELECTRICAL HAZARD ⚡

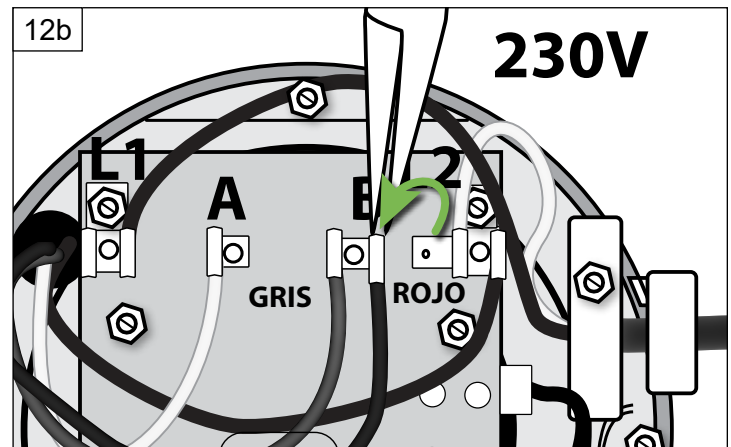
Improper installation may result in fire, explosion, electrical short or injury. Replace all covers before operating. Ground motor in accordance with local and national electrical codes. Disconnect power source before touching internal parts. Motors equipped with automatic protection may restart without warning. See instruction manual for proper installation procedure. Se reporter au manuel d'instructions pour suivre la procédure adéquate d'installation. Consulte el instructive para conocer el procedimiento de instalación correcto.

12. Para servicio a 230 V, cambie los siguientes cables en el bloque de terminales:

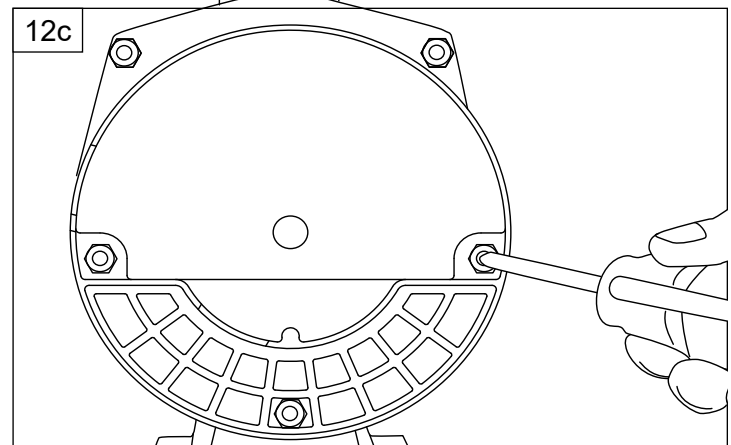
- Con un par de pinzas de punta de aguja, hale el cable gris con el conector hembra del lugar del borne de pala del terminal "A". Colóquelo a la derecha, en el borne de pala del terminal "B". (Fig. 12a)



- Hale el cable rojo con el conector hembra del terminal "L2". Colóquelo a la izquierda, en el borne de pala del terminal "B". (Fig. 12b)



- Vuelva a instalar la tapa trasera del motor. (Fig.12c)



NOTA: para cambiar el voltaje de 230 V a 115 V, simplemente invierta las instrucciones de arriba.

CEBADO Y PUESTA EN MARCHA DE LA BOMBA

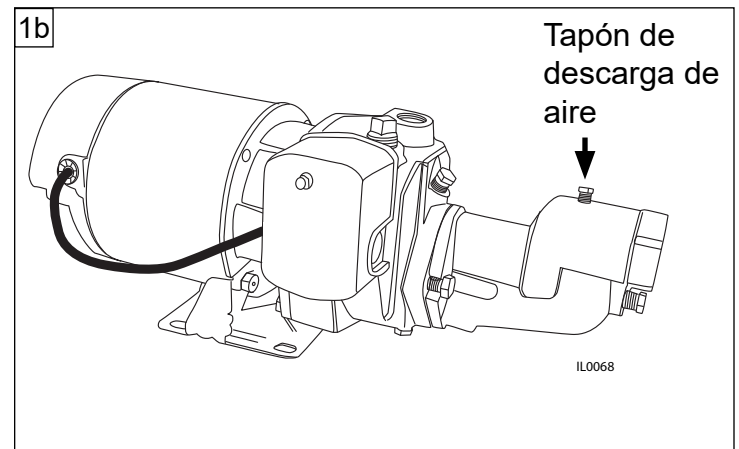
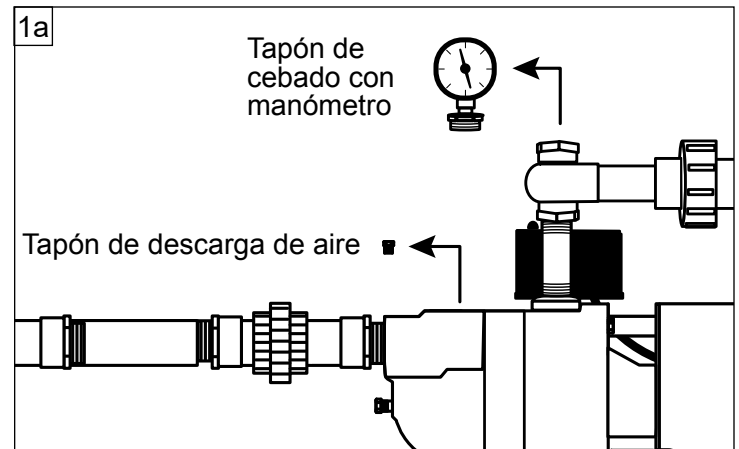
CEBADO

⚠ PRECAUCIÓN: todas las bombas deben ser cebadas (llenar la cavidad con agua) antes de que se operen por primera vez. Esto puede requerir varios litros de agua, ya que la línea de succión se llenará al igual que la cavidad de la bomba.

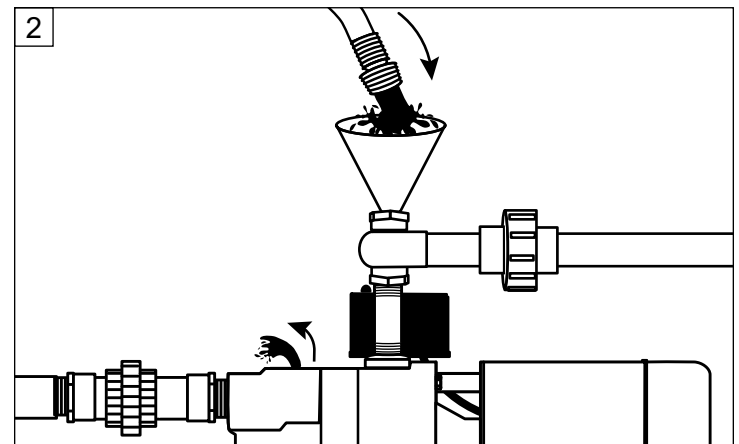
1. Retire el tapón de cebado con el manómetro y el tapón de descarga de aire.

(Fig. 1a con eyector incorporado)

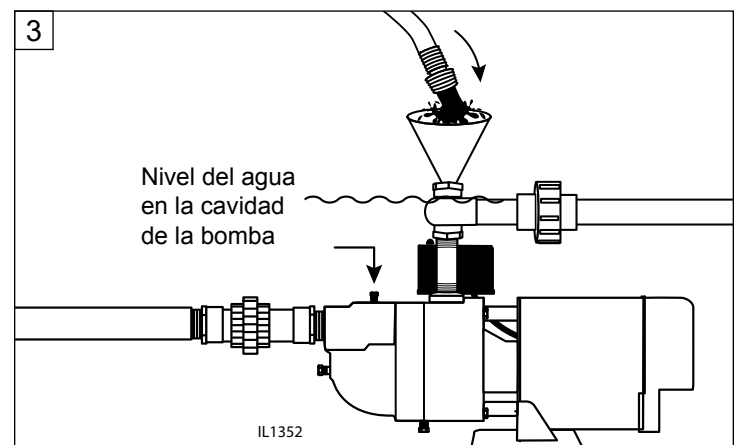
(Fig. 1b con eyector empernado)



2. Llene lentamente la cavidad de la bomba hasta que salga agua del orificio de descarga de aire en la parte superior de la bomba. (Fig. 2)

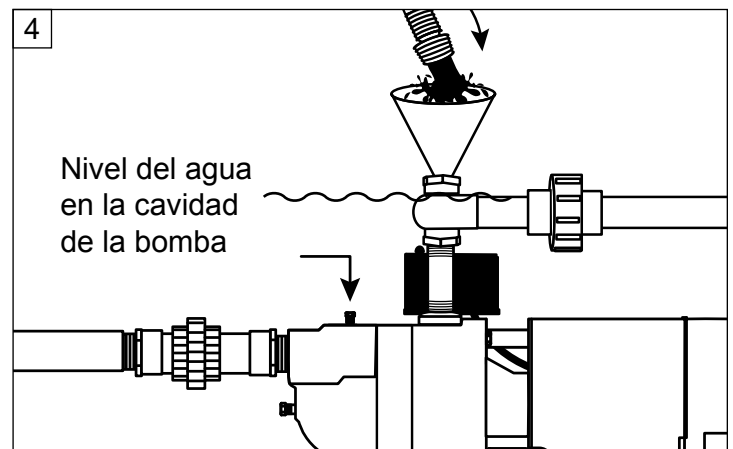


3. Vuelva a colocar el tapón de descarga de aire y continúe agregando agua a la cavidad de la bomba hasta que el agua llegue a la parte superior del tapón de cebado. (Fig. 3)

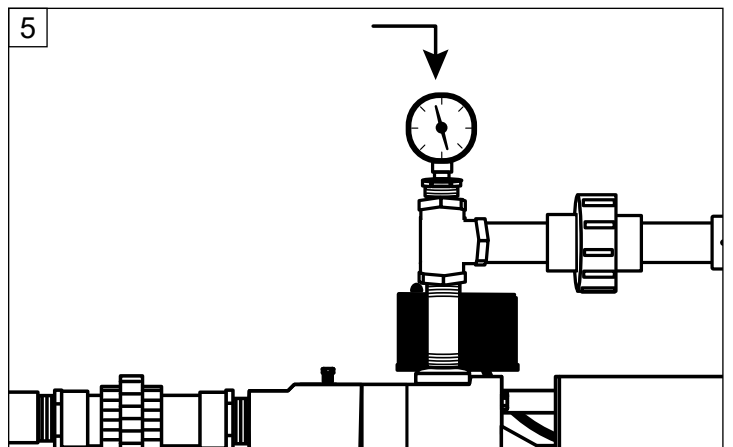


CEBADO Y PUESTA EN MARCHA DE LA BOMBA (CONTINUACIÓN)

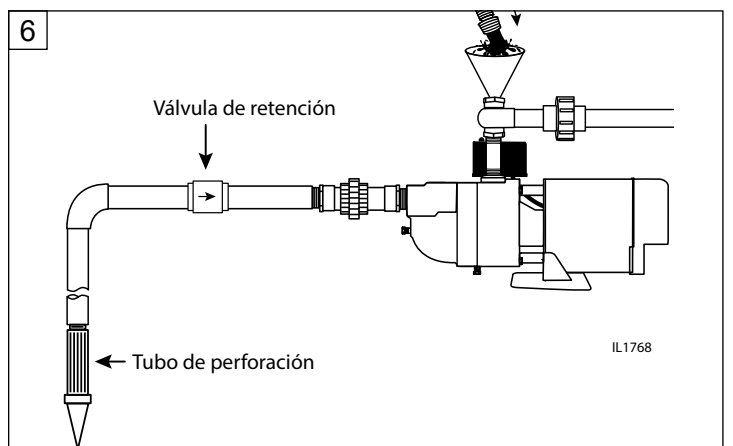
4. Verifique que el agua se mantenga de forma constante en la cavidad de la bomba. Si el nivel del agua baja, podría indicar una fuga en la válvula de zapata, en la válvula de retención o en la tubería de succión. (Fig. 4)



5. Enrosque el tapón de cebado y luego abra la válvula de bola opcional, si está instalada, girando la manija para alinearla con la tubería. (Fig. 5)



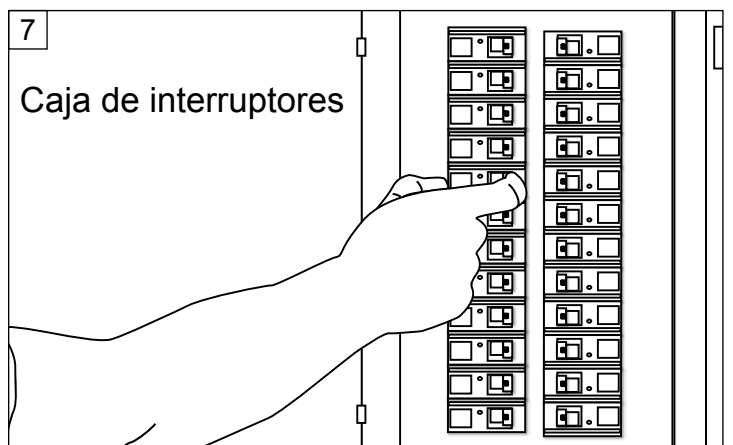
6. NOTA DE CEBADO: pueden ser necesarios varios intentos de cebado, dependiendo de la longitud de la tubería de succión y la ubicación de la válvula de retención si se está usando un tubo de perforación.



7. Encienda el disyuntor para encender la bomba. (Fig. 7)

⚠ IMPORTANTE: si la bomba zumba en lugar de bombear o se apaga repetidamente, apague la bomba inmediatamente.

Verifique el voltaje. Asegúrese de que el voltaje de entrada coincida con el voltaje del cableado de la bomba. Consulte la guía de cableado en las instrucciones



CEBADO Y PUESTA EN MARCHA DE LA BOMBA (CONTINUACIÓN)

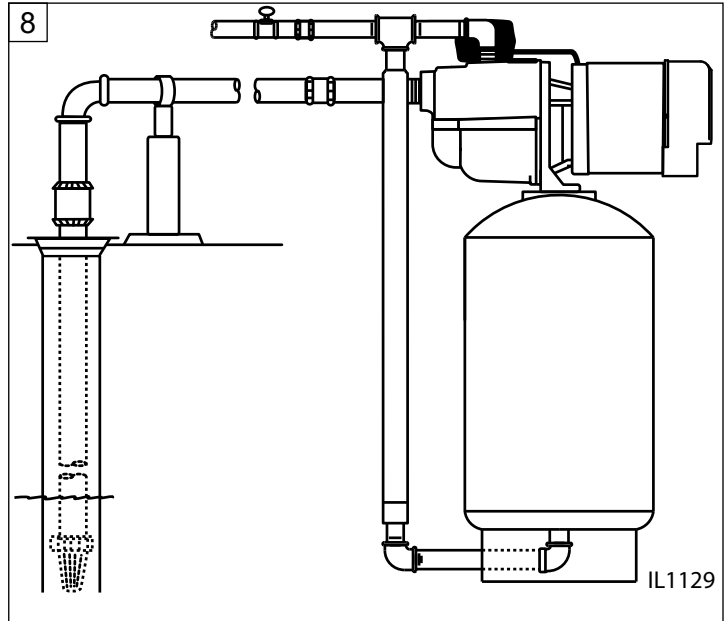
⚠ IMPORTANTE: si la bomba no se ceba en cinco minutos:

Desconecte la energía en la caja de disyuntores y compruebe todas las conexiones de tuberías en busca de fugas. Todas las conexiones deben ser herméticas para que la bomba funcione.

8. Todas las tuberías del pozo a la bomba deberían inclinarse ligeramente hacia arriba sin flexión. Apoye la tubería de succión entre el abasto de agua y la bomba. Las uniones en la tubería de succión cerca de la bomba y el pozo ayudarán en el mantenimiento. Asegúrese de dejar suficiente espacio para poder utilizar llaves fácilmente. (Fig. 8)

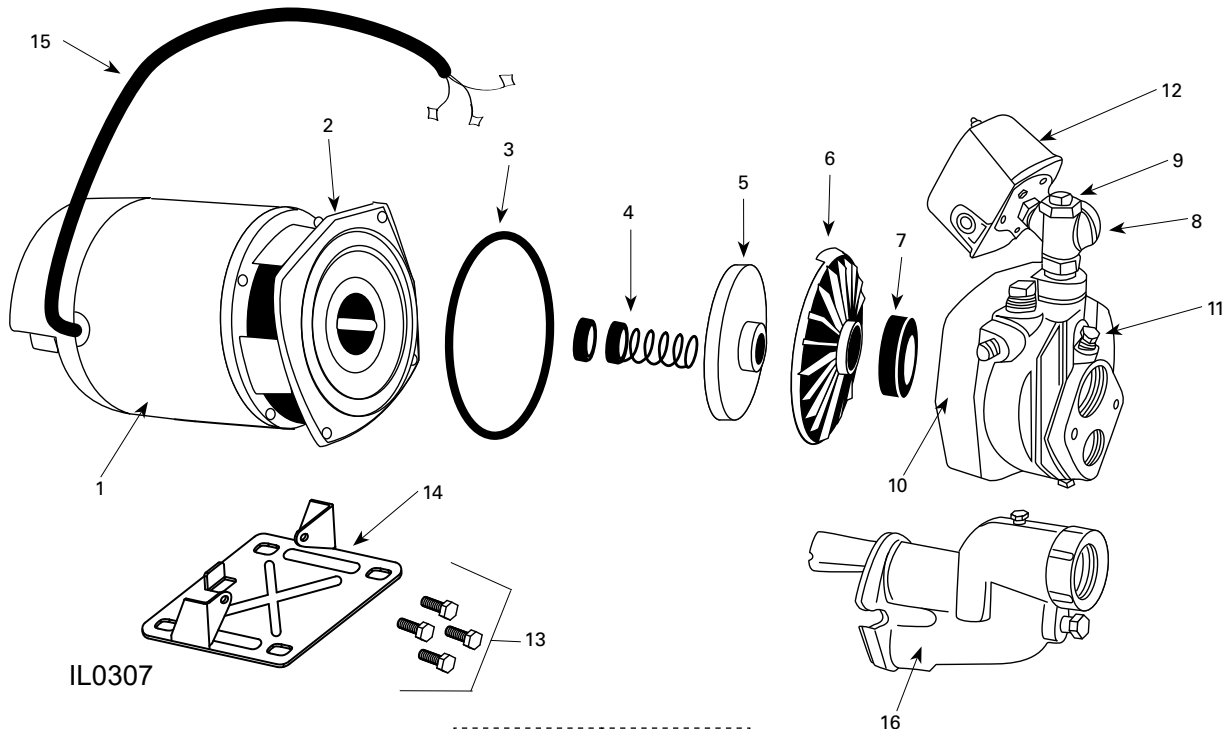
NOTA: busque si hay fugas o un color lechoso en el agua que se descarga, lo cual indica una fuga de aire. Vuelva a cebar si es necesario, siguiendo los pasos anteriores del 1 a 6. Reinicie el disyuntor en la caja de disyuntores. Todas las conexiones deben ser herméticas para que la bomba funcione.

¿Preguntas? Llame al 1-800-742-5044 de lunes a viernes, de 7:30 am a 5:00 pm EST.



**POZOS POCO Y POZOS PROFUNDOS BOMBA TIPO JET
PIEZAS DE REPUESTO**

(Para precios, consulte la Lista de precios de las piezas de repuesto)



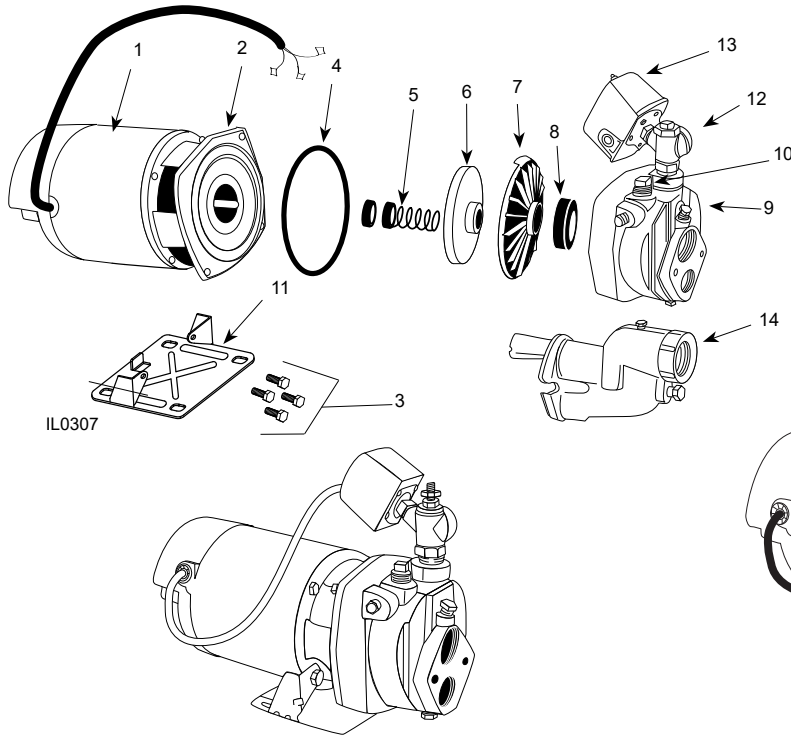
IL0307

			JHU05AT44H 416967	JHU07AT44H 429619	436224		
POTENCIA			1/3	1/2	3/4	1	1-1/2
"SW" MODELO DE POZO POCO PROFUNDO			JH03S JHU03S	JH05S JHU05S	JH07S JHU07S	JH10S JHU10S	JHU15S
"CONV" MODELO DE CONVERTIBLE			JH03 JHU03	JH05 JHU05	JH07 JHU07	JH10 JHU10	
ARTÍCULO	DESCRIPCIÓN	CANT.	PIEZA NO.				
1	Moteur, Nema J	1	98J103	98J105	98J107	98J110	98J115
2	Anillo de montaje	1	134162	134162	134163	134163	134163
3	Anillo de corte recto	1	132583	132583	132429	132429	132429
4	Sello, Rotario con resorte	1	131100	131100	131100	131100	131100
5	Impulsor	1	139348	139349	134137	134138	134138
6	Difusor	1	132424	132424	132425	132425	132425
7	Caucho, Difusor	1	132428	132428	132428	132428	132428
8 & 9	Conjunto de control †	1	134349	134349	134349	134349	N/A
8	Unidad de control	1	135019	135019	135019	135019	135019
9	Tornillo de control de flujo	1	124330	124330	124330	124330	124330
10	Cuerpo de la bomba	1	134121	134121	134121	134123	134123
11	Tapón 1/4 pulg. NPT	3	*	*	*	*	*
11	Tapón 1/2 pulg. NPT		N/A	N/A	N/A	N/A	N/A
12	Presostato	1	020345	020345	020345	020345	020345
13	Tornillos de 3/8" x 3/4"	8	*	*	*	*	*
14	Base	1	128034	128034	128034	128034	128034
15	Cable Conductor	1	136135A	136135A	136135A	136135A	136136A
16	Paquete de eyector modelos "SW"	1	SW03E-1626	SW05E-1630	SW07E-1432	SW10E-1334	SW15E-1836
‡	Junta eyectora con pernos	1	132404	132404	132404	132404	132404
‡	Boquilla	1	-	-	-	-	-
‡	Venturi	1	-	-	-	-	-

(†) Conjunto de control es necesario sólo en los modelos convertibles
 (*) Artículo de ferretería

PIEZAS DE REPARACIÓN DE BOMBAS DE CHORRO PARA POZOS CONVERTIBLES Y POCO PROFUNDOS "CPH" SERIES

(Para precios, consulte la Lista de precios de las piezas de repuesto)



JUEGO DE MANTENIMIENTO PARA BOMBAS TIPO JET	
MODELO NO	JUEGO DE MANTENIMIENTO PARA:
148143	1/3HP, CPJ & CPH Bombas de chorro
148141	1/2HP, CPJ & CPH Bombas de chorro
148140	3/4HP, CPJ & CPH Bombas de chorro
023705	1HP, CPJ & CPH Bombas de chorro y VPH10
EL JUEGO INCLUYE Impulsor, Difusor, Sello rotatorio, Anillo de corte recto, Goma del difusor	

"CPH" Convertible

"CPHS" Pozo poco profundo

ARTÍCULO	POTENCIA	PIEZA NO.	CPHX03	CPHX05	CPH071726 CPHX07	1
			1/3	1/2	3/4	1
			CPH03	CPH05	CPH07	CPH10
	MODELO NO.: "CPH" Convertible					
	"CPHS" Pozo poco profundo					
	DESCRIPCIÓN					
			CANT.			
1	Moteur, Nema J (Thd)		98J103	98J105	98J107	98J110
	Tapa del motor con tornillos	021301R	1	1	1	1
	Tornillos, tapa	021302	2	2	2	2
†	Cable conductor del motor	136135A	1	1	1	1
2	Anillo de montaje	*	135314	135314	136137	136137
3	Tornillos de cabeza hexagonal de 3/8" x 3/4"	*	4	4	4	4
4	Anillo de corte recto		132583	132583	132429	132429
5	Sello, Rotario con resorte	131100	1	1	1	1
6	Impulsor		139348††	139349††	134137	134138
7	Difusor		132424	132424	132425□	132425□
8	Caucho, Difusor	132428	1	1	1	1
9	Cuerpo de la bomba		134311	134311	134312	134312
10	Tapón de cebado	*	1/2" NPT	1/2" NPT	1/2" NPT	1/2" NPT
11	Base	128034	1	1	1	1
12	Conjunto de control "CPH" Convertible	134349	1	1	1	1
	Unidad de control	135019	1	1	1	1
	Tornillo de control de flujo	124330	1	1	1	1
13	Presostato "CPH" Convertible			132527	132527	132527
13	Presostato "CPHS" Pozo poco profundo	132527	1	1	1	1
14	Paquete de eyectores para pozos poco profundos-"CPHS"		SW03E-1626	SW05E-1630	SW07E-1432	SW10E-1334
	Junta eyectora con pernos	132404	1	1	1	1
†	Junta eyectora	130969	1	1	1	1

(*) Artículo de ferretería

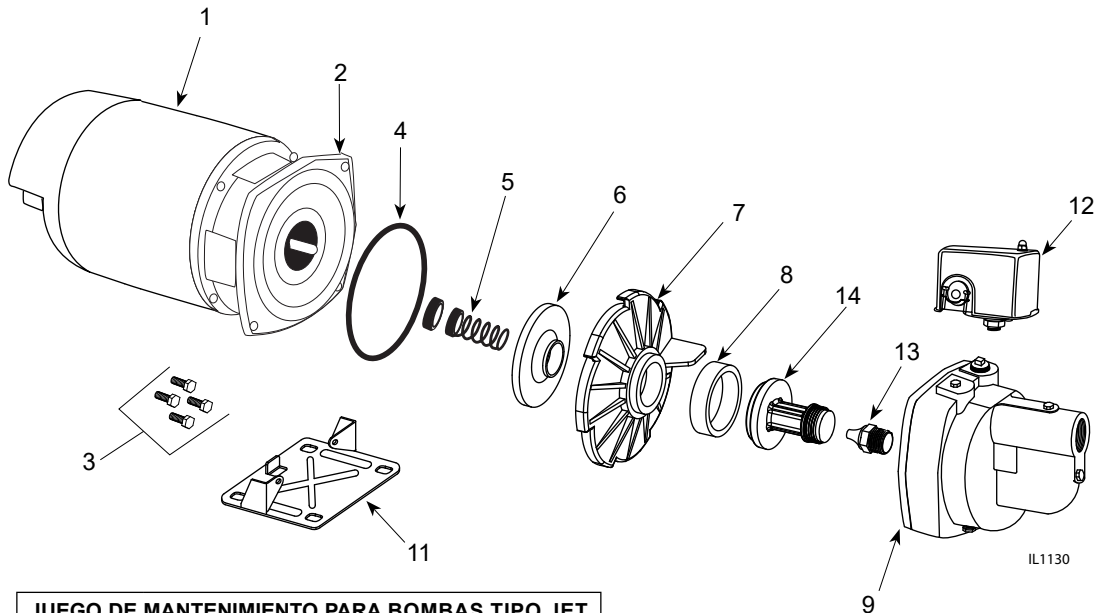
(†) No mostrado

(††) Impulsor con anillo obturador 138138

(□) Difusor con accesorio 134240

PIEZAS DE REPUESTO PARA BOMBAS CONVERTIBLES Y DE CHORRO PARA POZOS CON POCA O MUCHA PROFUNDIDAD SERIE "EK"

(Para precios, consulte la Lista de precios de las piezas de repuesto)



JUEGO DE MANTENIMIENTO PARA BOMBAS TIPO JET	
MODELO NO	JUEGO DE MANTENIMIENTO PARA:
KF04 ^A	Sello giratorio, Quadriseal (2), goma del difusor
KF05 ^B	Impulsor, sello giratorio, Quadriseal, goma del difusor
KF07 ^C	
KF10 ^D	

- A. Aplica para todas las bombas de chorro horizontales de hierro fundido
 - B. Se aplica a 1/2HP, Bomba de chorro serie "E" *
 - C. Se aplica a 3/4HP, Bomba de chorro serie "E" *
 - D. Se aplica a 1HP, Bomba de chorro serie "E" *
- *Solicite el difusor por separado

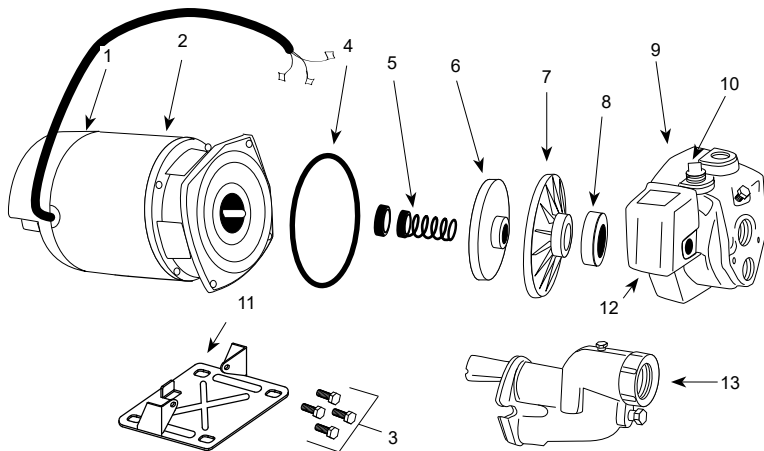
EK05SAT25H	EK05SAT44H	ES07S
EK05SQ		433215
ES05S		
416959		
433217		

ARTÍCULO	POTENCIA	MODELO NO.:	PIEZA NO.	1/2	3/4	3/4
				EK05S	EK07S	ES07S
				ES05S	REV C	REV C
DESCRIPCIÓN				CANT.		
1	Moteur, Nema J (Thd)			98J105	98J107	98J107
	Tapa del motor con tornillos	021301R		1	1	1
	Tornillos, tapa	021302		2	2	2
†	Cable conductor del motor	136135A		1	1	1
2	Anillo de montaje	135314		1	1	1
3	Tornillos de cabeza hexagonal de 3/8" x 3/4"	*		4	4	4
4	Anillo de corte recto	132583		1	1	1
5	Sello, Rotario con resorte	131100		1	1	1
6	Impulsor		023502††	139349††	139349††	139349††
7	Difusor		132424	132424	132424	132424
8	Caucho, Difusor	132428		1	1	1
9	Cuerpo de la bomba		023381	023381	023381	023381
11	Base	128034A		1	1	1
12	Presostato - EK		020345	020346	020345	020345
13	Boquilla		4C3915	4C3916	4C3916	4C3916
14	Venturi		4C6026	4C6032	4C6032	4C6032

(*) Article de quincaillerie standard
 (†) Non montré
 (††) Impulseur avec bague d'étanchéité 138138

PIEZAS DE REPARACIÓN DE BOMBAS DE CHORRO PARA POZOS POCO PROFUNDOS "E" SERIES

(Para precios, consulte la Lista de precios de las piezas de repuesto)



JUEGO DE MANTENIMIENTO PARA BOMBAS TIPO JET	
MODELO NO	JUEGO DE MANTENIMIENTO PARA:
148143	1/2HP, Bombas de chorro de la serie "E" *
148141	3/4HP, Bombas de chorro de la serie "E" *
148140	1HP, Bombas de chorro de la serie "E" *
EL JUEGO INCLUYE Impulsor, Difusor, Sello rotatorio, Anillo de corte recto, Goma del difusor	

ARTÍCULO	POTENCIA	PIEZA NO.	1/2	3/4	1	1	
			MODELO NO.:	EK05	EK07	EK10	EK10S
			DESCRIPCIÓN	CANT.			
1	Moteur, Nema J (Thd)		98J105	98J107	98J110	98J110	
	Tapa del motor con tornillos	021301R	1	1	1	1	
	Tornillos, tapa	021302	2	2	2	2	
	† Cable conductor del motor	136135A	1	1	1	1	
2	Anillo de montaje		135314	135314	136137	135314	
3	Tornillos de cabeza hexagonal de 3/8" x 3/4"	*	4	4	4	4	
4	Anillo de corte recto		132583	132583	132429	132583	
5	Sello, Rotario con resorte	131100	1	1	1	1	
6	Impulsor		139348††	139349††	134137	134137	
7	Difusor		132424	132424	132425□	132425□	
8	Caucho, Difusor	132428	1	1	1	1	
9	Cuerpo de la bomba		134311	134311	134312	134123	
10	Tapón de cebado	*	1/2" NPT	1/2" NPT	1/2" NPT	1/2" NPT	
11	Base	128034A	1	1	1	1	
12	Presostato		020345	020346	020346	020346	
13	Cuerpo del eyector	135021	1	1	1	1	
†	Junta eyectora con pernos	132404	1	1	1	1	
†	Boquilla		4C39-16	4C39-16	4C39-14	4C3914	
†	Venturi		4C55-26	4C55-30	4C55-32	4C5532	

(*) Artículo de ferretería
 (†) No mostrado
 (††) Impulsor con anillo obturador 138138
 (□) Difusor con accesorio 134240

SOLUCIÓN DE PROBLEMAS

Problema	Posible causa	Acción correctiva
Poca o ninguna descarga	1. Carcasa inicialmente no llenada con agua	1. Llene la carcasa de la bomba
	2. La extracción de agua es demasiado elevada o demasiado larga	2. Mueva la bomba más cerca del abasto de agua
	3. Agujero o fuga de aire en la línea de succión	3. Repare o reemplace. Use cinta adhesiva y compuesto sellador para tuberías
	4. Válvula de zapata demasiado pequeña	4. Empareje la válvula de zapata con la tubería o instale una válvula de zapata de un número más alto.
	5. Válvula de zapata o línea de succión no sumergidas lo suficiente en el agua	5. Sumerja más en el agua
	6. Motor cableado incorrectamente	6. Consulte el diagrama de cableado
	7. Junta de la carcasa con filtración	7. Reemplace
	8. Válvulas de línea de succión o descarga cerradas	8. Abra
La bomba no suministra agua o no desarrolla presión	1. No hay agua de cebado en la carcasa	1. Llene la carcasa de la bomba
	2. Fuga en línea de succión	2. Repare o reemplace.
	3. La línea de descarga está cerrada y el aire de cebado no tiene hacia dónde ir	3. Abra la válvula de bola
	4. La línea de succión (o válvula) está cerrada	4. Abra
	5. La válvula de zapata tiene una filtración	5. Reemplace la válvula de zapata
	6. Rejilla de succión obstruida	6. Limpie o reemplace
Pérdida de succión	1. Fuga de aire en la línea de succión	1. Repare o reemplace.
	2. La extracción de agua es demasiado elevada	2. Baje la extracción de agua, instale una válvula de zapata y cebe
	3. Presión de entrada o carga de succión insuficientes	3. Incremente la presión de entrada agregando más agua al tanque o aumentando la presión de retroceso
	4. Válvula de zapata o filtro obstruidos	4. Desatasque
La bomba vibra y/o hace demasiado ruido	1. La placa de soporte o la base no son lo suficientemente rígidas	1. Refuerce
	2. Materiales extraños en la bomba	2. Desarme la bomba y límpiela
	3. Impulsor dañado	3. Reemplace
	4. Rodamientos del motor desgastados	4. Reemplace
La bomba no arranca o no trabaja	1. Cableado inadecuado	1. Consulte el diagrama de cableado en el motor
	2. Fusible fundido o disyuntor abierto	2. Reemplace el fusible o cierre el disyuntor
	3. Cables flojos o rotos	3. Apriete las conexiones, reemplace los cables rotos
	4. Piedra u objeto extraño atorados en el impulsor	4. Desarme la bomba y retire el objeto extraño
	5. Motor en cortocircuito	5. Reemplace
	6. Una sobrecarga térmica ha abierto el circuito	6. Deje que la unidad se enfríe, reinicie después de que se haya determinado la razón de la sobrecarga

LISTA DE VERIFICACIÓN RÁPIDA PARA SOLUCIÓN DE PROBLEMAS

Revise las siguientes preguntas de solución de problemas antes de regresar una bomba como defectuosa. Si tiene alguna pregunta, llame a Servicio al Cliente al (800) 742-5044.

✓	LISTA DE VERIFICACIÓN
A	Verifique el código de fecha para asegurarse de que la bomba está dentro del período de garantía. El código de fecha es el mes y el año. (Ejemplo: 0311 es marzo de 2011. El código de fecha se encuentra en la parte superior de la bomba).
B	asegúrese de que la fuente de alimentación cumpla con los requisitos de la bomba. Esta bomba tiene un motor de doble voltaje y puede funcionar a 115 V o 230 V. Consulte la etiqueta de la bomba para verificar el voltaje precableado en la fábrica.
C	Si la bomba no arranca, verifique el GFI o el interruptor del panel de disyuntores para ver si está en pleno funcionamiento.
D	Si la bomba funciona todo el tiempo, asegúrese de que la bomba haya sido cebada correctamente. Si la bomba no está reteniendo el cebado, inspeccione la válvula de retención, la válvula de zapata y la tubería, luego vuelva a cebar.
E	Si la bomba funciona pero no se apaga, revise el presostato.

A

E

B

Motor:	98L105				
HP:	1/2	PH	1	Hz	60
Volts:	115/230	S.F.	1.2	Amps	6.4/3.2
S.F. Amps:	8.6/4.3	RPM	3450	Type	C
Duty:	Cont.	Temp	65C	KVA Code	G
Frame:	56L	Ins Class	B		

Factory prewired for 115V
Check voltage of power source

Thermally protected automatic
Use copper conductors only

C

D

CUIDADO Y MANTENIMIENTO

Preparación para el invierno

⚠ PRECAUCIÓN: Drene todo el sistema si hay peligro de congelación. Se proporciona un tapón de vaciado en la parte inferior de la carcasa de la bomba para este fin. (Fig. 1).

1

¡EVITE CAUSAR DAÑOS A LA BOMBA!

Retire el tapón en temperaturas bajo cero

IL1111