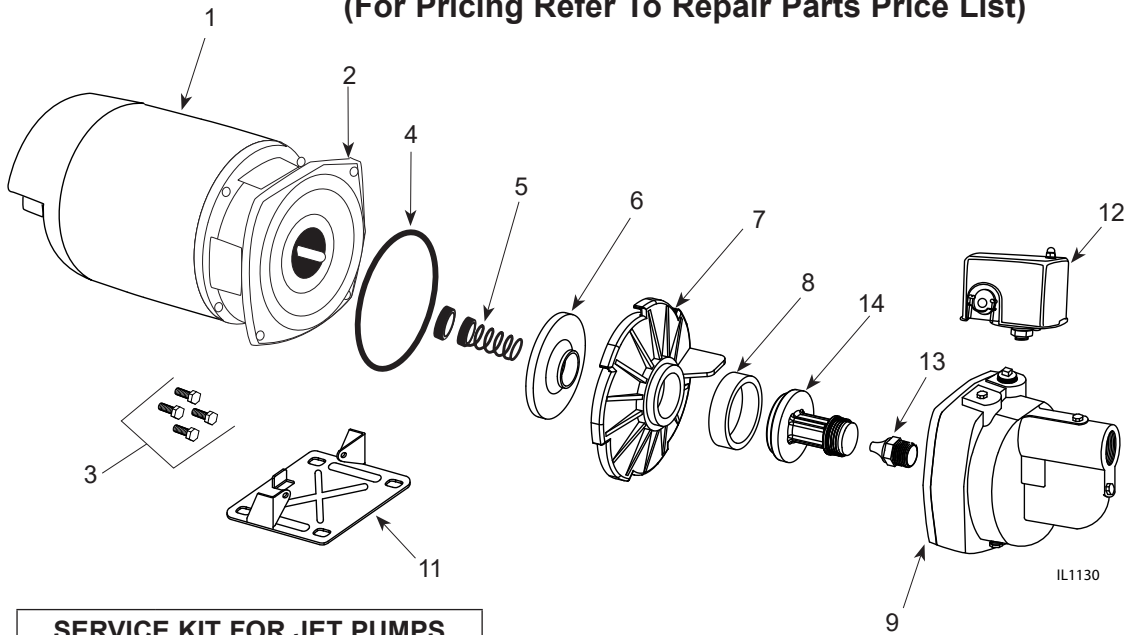


SHALLOW WELL JET PUMP w/INTEGRAL JET REPAIR PARTS "EK" SERIES

(For Pricing Refer To Repair Parts Price List)



SERVICE KIT FOR JET PUMPS	
MODEL NO	KIT CONTAINS
KF04 ^A	Rotary Seal, Quadraseal (2), Diffuser Rubber
KF05 ^B	Impeller, Rotary Seal, Quadraseal and Diffuser Rubber
KF07 ^C	
KF10 ^D	

- A. Applies to all Horizontal Cast Iron Jet Pumps
 - B. Applies to 1/2HP, "E" Series Jet Pumps*
 - C. Applies to 3/4HP, "E" Series Jet Pumps*
 - D. Applies to 1HP, "E" Series Jet Pumps*
- *Order Diffuser Separately

ITEM	HORSEPOWER		1/2	3/4	3/4
	MODEL NO.:	PART NO.	EK05S ES05S REV C	EK07S REV C	ES07S REV C
	DESCRIPTION		QTY.		
1	Motor, Nema J (Thd) Motor Cover w/Screws Screws, Cover	021301R 021302	98J105 1	98J107 1	98J107 1
†	Motor Lead Wire	136135A	1	1	1
2	Mounting Ring	135314	1	1	1
3	Hex Hd. Cap Screws 3/8 x 3/4"	*	4	4	4
4	Ring, Square Cut	132583	1	1	1
5	Seal, Rotary w/Spring	131100	1	1	1
6	Impeller		023502††	139349††	139349††
7	Diffuser		132424	132424	132424
8	Rubber, Diffuser	132428	1	1	1
9	Pump Body		023381	023381	023381
11	Base	128034A	1	1	1
12	Pressure Switch - EK		020345	020346	020345
13	Nozzle		4C3915	4C3916	4C3916
14	Venturi		4C6026	4C6032	4C6032

(*) Standard hardware item
(†) Not shown
(††) Impeller w/ 138138 Seal Ring