

1/2 HP STAINLESS STEEL



WATER SYSTEMS

City Water Pressure Booster Pump

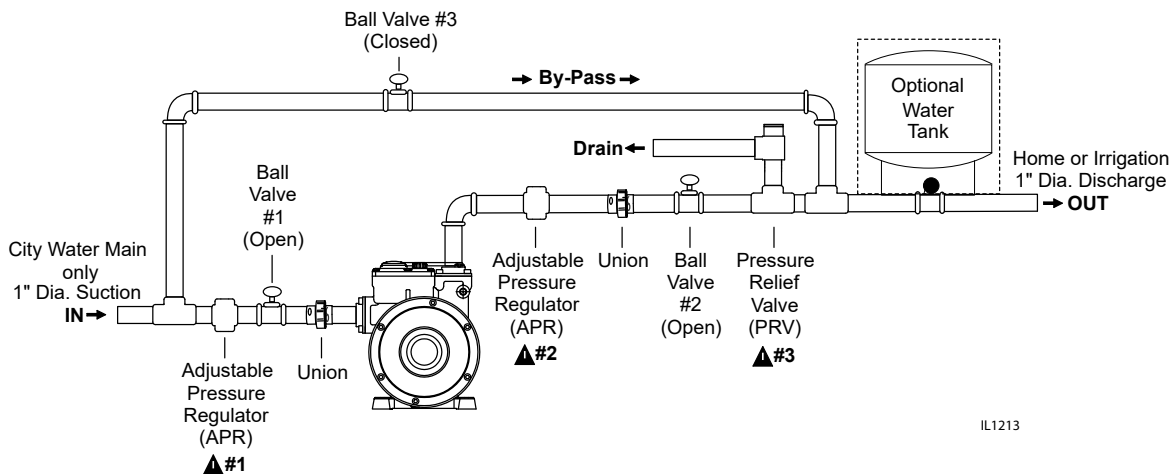
MODEL HCP05

FEATURES AND BENEFITS:



- All-in-one unit, consisting of pump, motor, stainless steel pressure tank and electronic controller
- Compact design and quiet operation make it suitable for many applications
- System has automatic built-in diagnostics to protect against:
 - Run dry
 - Dead head
 - Rapid cycling
- Impellers constructed of stainless steel with stainless steel bearing and shaft sleeve
- 1 in. stainless steel inlet and outlet flanges

TYPICAL INSTALLATION



IL1213

HCP05

UPC# 054757091439



PERFORMANCE

AMPS	INLET PSI	HCP05 SYSTEM PRESSURE (PSI) AT FLOW RATES (GPM)				
		3	6	9	12	15
6.0	10	43	36	35	31	26
	20	53	46	45	41	36
	30	63	56	55	51	46